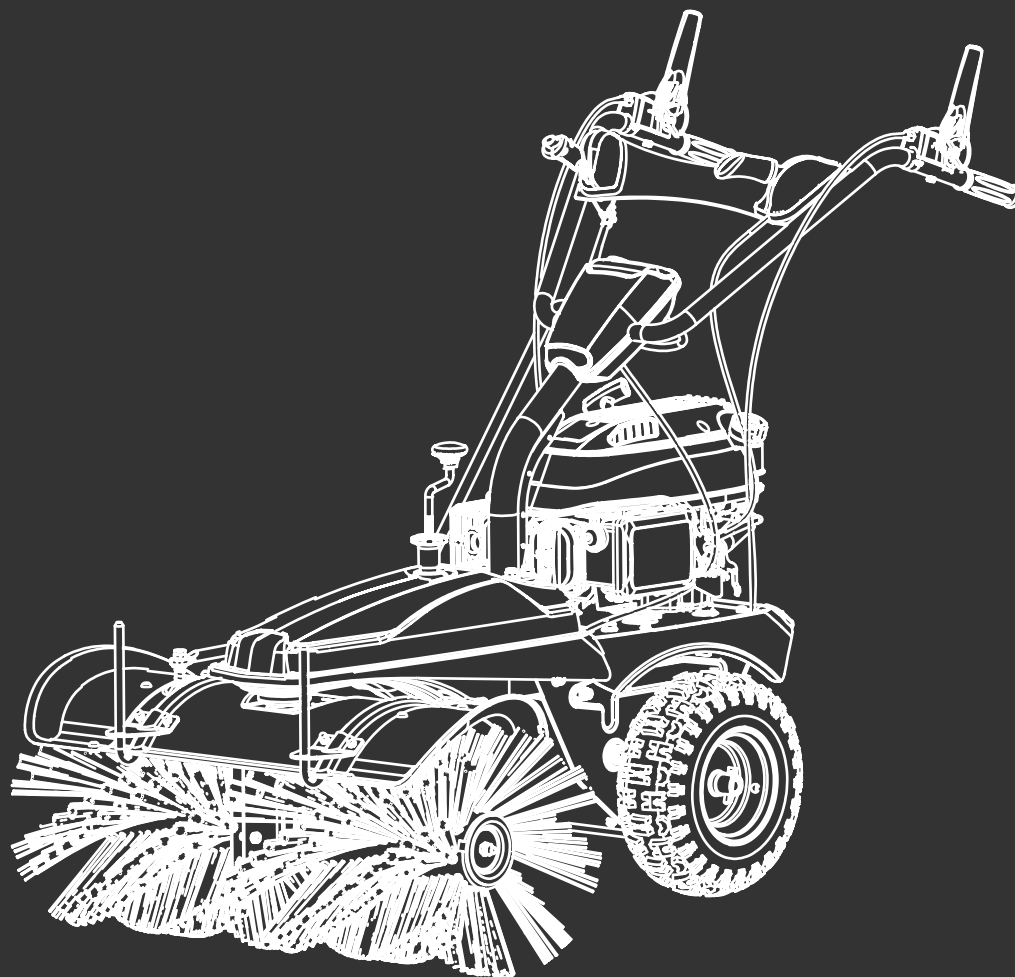


HYUNDAI
POWER PRODUCTS



PETROL SWEEPER HYSW1000

Instruction Manual



Introduction

Thank You For Purchasing Your HYUNDAI Product

We work very hard to give all of our customers the best possible service. If you have any problems, before leaving negative feedback, please contact us to give us a chance to resolve the issue. We would be delighted if you left us positive feedback! Thank you for purchasing this product.

Important!



⚠WARNING : READ THE INSTRUCTION BOOKLET THOROUGHLY BEFORE USING THE MACHINE. Keep for future reference and pass it on if the machine is loaned or sold to another user.

This manual has been produced by Hyundai Power Products and should be kept with the product. Please read and understand these instructions before you use your product. Failure to do this may result in personal injury or damage to the product.

The safety precautions and warnings are to ensure your safety and protect you from harm or damage to the product.

The information contained in this manual was accurate at the time of production, however HYUNDAI Power Products may make modifications to the product without notification.



Contents

Safety Information.....4-19

Understand Your Machine.....	4
Personal Safety.....	5
Inspect Your Machine.....	6
Work Area.....	7
During Use.....	8-9
Engine Safety.....	10
Carbon Monoxide.....	11
Fuel Safety.....	12-13
Batteries.....	14
Electrical Safety.....	15
Vibrations.....	16
Noise.....	16
Personal Protective Equipment.....	17
Intended Use.....	18
Symbols On The Machine.....	19

Features.....20-21

Unboxing.....22

Assembly.....23-27

Assembly Safety.....	23
Attach The Handlebar.....	24
Attach Brush Steering Lever.....	25
Install Shift Lever.....	26
Attach Brush.....	27

Preparation.....28-31

Adding Oil.....	28
Checking Oil Level.....	28
Adding Fuel.....	29
Charging The Battery.....	30
Before Each Use.....	31

Operation.....32-35

Handle Height Adjustment.....	32
Brush Height Adjustment.....	32
Brush Angle Adjustment.....	33
Brush Activation.....	33
Brush Speed Adjustment.....	34
Drive.....	35

Starting / Stopping.....36-38

Electric Start.....	36
Recoil Start.....	37
Stopping.....	38

Maintenance.....41-46

Cleaning.....	41
Transportation.....	41
Storage.....	42-43
Air Filter.....	44
Rotary Brush Gear Drive.....	44
Spark Plug.....	45
Changing / Draining Oil.....	46
Fuel And Carburetor.....	46

Troubleshooting.....47

Technical Data.....48

Spare Parts.....49-61

Recycling And Disposal.....62

Declaration Of Conformity.....63

Useful Information.....64

Our YouTube Channel.....	64
Warranty.....	64
Manual Updates.....	64
Returning Your Product.....	64
Leaving A Review.....	64
Ordering Spare Parts.....	64

Our Product Range.....65

Product Information.....66

Contact Us.....67



Safety Information

Safety

No list of safety guidelines can be complete. Every environment is different. Always consider safety first, as it applies to your individual working conditions. Use this and other machinery with caution and respect. Failure to do so could result in serious injury, damage to equipment, or poor work results.

Some or all of the following - warning signs and symbols may appear throughout this manual. You **MUST** adhere to their warnings. Failure to do so may result in personal injury to yourself or those around you.

DANGER

Indicates a hazard, which, if not avoided, could result in serious injury or death.

WARNING

Indicates a hazard, which, if not avoided, could result in serious injury.

CAUTION

Indicates a hazard which, if not avoided, might result in minor or moderate injury.

Understand Your Machine

- **WARNING!** You must read these instructions carefully before operating the machine. Make sure that you are familiar with the controls and properly operate the machine. You must learn how to stop the machine quickly. If you do not follow the warnings and instructions, it may result in fire and/or serious injury. Make sure to save all warnings and instructions for future reference.
- Read this manual and labels affixed to the machine to understand its limitations and potential hazards.
- Be thoroughly familiar with the controls and their proper operation. Know how to stop the machine and disengage the controls quickly.
- If the unit is to be used by someone other than original purchaser, or is to be loaned, rented, or sold, always provide this manual and any needed safety training before operation. The user can prevent and is responsible for accidents or injuries that may occur to themselves, to other people, or to property.
- Do not force the machine beyond its limits. Use the correct machine for your application.
- Know how to stop the machine quickly in case of emergency. Understand the use of all controls.
- ALL MAINTENANCE other than that listed in this manual, should be carried out by professionally trained and certified personnel.
- When using this machine for the first time and before actual work, you **MUST** learn how to handle the machine from an experienced or skilled person.



Safety Information

⚠ Personal Safety

- **WARNING!** Never allow children or people unfamiliar with these instructions to use the product. Local regulations can restrict the minimum age of the operator.
- Keep children, pets, and other people not using the unit away from the work area (at least 15m). Be alert and shut off the unit if anyone enters work area. Keep children under the watchful care of a responsible adult.
- Stay alert, watch what you are doing and use common sense when operating the machine. Never operate the machine when unwell or tired, or if you have taken alcohol, medicine, drugs or any substances which may slow your reflexes and compromise judgment. A moment of inattention while operating the machine may result in serious personal injury.
- Appropriate Personal Protective Equipment (PPE), **MUST** be worn at all times when operating or repairing the machine. Always wear anti-slip and resistant work footwear and long trousers while using the machine. Do not use the machine when barefoot, wearing sandals or similar lightweight footwear. Do not wear chains, bracelets or clothing that is loose fitting or hanging ties or cords. Tie long hair back. Always wear protective earplugs. Loose clothes, jewellery, or long hair can be caught in moving parts. Protect eyes, face, and head from objects that may be thrown from the unit. Always wear safety goggles or safety glasses with side shields when operating.
- Always keep hands and feet away from all moving parts during operation. Moving parts can cut or crush body parts. Always keep hands and feet away from all pinch points.
- Do not touch parts that might be hot from operation. Allow parts to cool before attempting to maintain, adjust, or service.
- Do not overreach. Keep proper footing and balance at all times. This enables better control of the machine in unexpected situations. Extending your body too far can result in a loss of balance and you may fall which will result in injury.
- Never place any part of your body where it would be in danger if movement should occur during assembly, installation, and operation, maintenance, repairing or moving.
- Start the machine carefully according to instructions and with feet away from the moving parts.
- Do not place your hands or feet near or under rotating parts. Keep away from any discharge openings.
- Keep in mind that the operator or user is responsible for accidents, hazards or unexpected events involving the machine that occur to other people or their property. It is the responsibility of the user to assess the potential risk of the area where work is being carried out. The operator or user must take all necessary precautions to ensure their own safety and that of others, especially on slopes or rough, slippery and unstable ground.



Safety Information

▲ Inspect Your Machine

- Check your machine before starting it. Keep guards in place and in working order. Make sure all nuts, bolts, etc., are securely tightened.
- You must check the general condition of the machine before use.
- Never operate the machine when it is in need of repair or is in poor mechanical condition. Replace damaged, missing, or failed parts before using it. Check for fuel leaks. Keep the machine in safe working condition.
- Do not use the machine if the engine's switch does not turn off the engine when running. Any petrol powered machine that can't be controlled with the engine switch is dangerous and must be replaced.
- If the machine should start to vibrate abnormally, stop the engine and check immediately for the cause. Vibration is generally a warning sign of trouble.
- Avoid accidental starting. Be sure the engine's switch is off before transporting the machine or performing any maintenance or service on the unit. Transporting or performing maintenance or service on a machine with its switch on invites accidents.
- Do not tamper with or disable safety systems.
- Only use manufacturer-recommended attachments.
- Before using, always visually inspect to see that the tools are not worn out or damaged. Replace worn out or damaged elements and bolts in set to preserve balance.
- Keep the machine in good operating condition. Operating the machine in poor or questionable condition could result in serious injury.
- Be sure all warning labels are in place. These items are installed for your safety.



Safety Information

▲ Work Area

- Make sure you thoroughly inspect the entire work area and remove all objects and anything that could be thrown by the machine or could damage the engine or machine (branches, stones, wire, toys, etc). Attempting to clear the work area whilst using the machine will reduce your concentration and creates a trip hazard. Any liquid spilled on the floor may result in you slipping.
- You must only work in daylight or with good artificial light in good visibility conditions. Do not work at night, at times of heavy fog, or at any other times when your field of vision might be limited and it would be difficult to gain a clear view of the area.
- Keep people, children and animals away from the working area.
- Operate on flat, level ground.
- DO NOT work on wet ground. If there has been heavy rain on the working site, wait until the ground has dried up.
- You must pay special attention when approaching obstacles that could compromise visibility.
- Exercise extreme caution when changing direction on slopes. When changing direction, you need to be careful that the wheels do not hit any obstacles (such as roots, branches, stones, etc) that can cause the machine to slide sideways or make you lose control of it. Make sure on slopes you have a steady foothold. DO NOT use the machine on gradients of more than 12%. DO NOT use the machine on gradients of more than 2% with attachments fitted. The gradient perpendicular to the direction of travel should not exceed 12%.
- Find and locate all fixed objects in the ground, such as sprinkler systems, poles, water valves, bases for washing lines etc. Make sure that you check for hidden electrical cables or similar on the surface of the lawn. ALWAYS run the machine around these objects. NEVER intentionally run the machine over foreign objects.
- Never park the machine in a place with unstable ground which could give way.
- You must be careful near ravines, ditches or embankments.
- Exercise extreme caution when operating on or crossing gravel drives, walks, or roads. Stay alert for hidden hazards or traffic.
- Pay the utmost attention when working on frozen ground as the machine may tend to skid.
- Do not work in the rain, when there is a thunderstorm or lightning risk, at times of strong or gale force winds, or at any other times when the weather conditions might make it unsafe to use this product. If there is bad weather conditions, do not use the machine.
- It is not allowed to use the machine in hazardous locations.



Safety Information

▲ During Use

- Always hold the unit with both hands when operating. Keep a firm grip on the handlebars. Be aware that the machine may unexpectedly bounce upward or jump forward if the machine should strike buried obstacles such as large rocks or roots.
- Do not operate the machine in confined areas where there may be a risk of crushing the operator between the machine and another object.
- Walk, never run with the machine. Be very careful when pulling the machine toward you. You must look behind you to make sure there are no obstacles before and during operations in reverse gear (if applicable). Do not allow the machine to pull you along, you must walk and never run.
- **WARNING!** If something breaks or an accident happens whilst working, you must turn off the engine immediately and move the machine away to prevent further damage. If an accident happens with injuries or third parties are injured, carry out the first aid measures most suitable for the situation immediately and contact the medical authorities for any necessary health care. Carefully remove any debris that might cause damage or harm persons or animals should it not be seen.
- Keep a firm hold on the handlebars, they may tend to lift during clutch engagement.
- Disengage clutch lever before starting the engine.
- Use extreme caution when reversing or pulling the machine backwards.
- Do not carry passengers.
- Never operate the machine at a fast pace.
- The excessive speed of movement or the absence of maintenance have a significant influence on noise emissions and vibrations. It is necessary to take preventive steps to eliminate possible damage due to high levels of noise and stress from vibration. You must maintain the machine well, wear ear protection and take breaks from working.
- After striking a foreign object, stop the engine immediately, remove the spark plug cap and inspect the machine thoroughly for damage. Repair the damage before continuing.
- Always disengage the levers, turn off the engine, and remove the spark plug, when the unit is left unattended.
- Never attempt to make any adjustments, while the engine is running.



Safety Information

- Never attempt to move the machine in any way other than intended for normal use while the engine is running.
- Reduce the throttle during engine shutdown and close the fuel valve.
- Factory-fitted control devices, such as the handle-mounted clutch cable, must not be removed or exposed.
- Always turn off the engine and ensure that all moving parts have come to a complete stop before making any repairs, adjustments, or inspections.
- Before leaving the machine to clear blockages, check, clean, refuel or after striking foreign object, stop the engine and make sure that the blades have come to a complete stop.
- You must switch off the engine and unplug the spark plug cable (making sure that all moving parts are stationary):
 - Before refuelling.
 - After striking a foreign object, you must inspect the machine for damage and make repairs before using it again.
 - Before checking or working on the machine.
 - Before clearing blockages.
 - When transporting the machine.
 - Whenever you leave the machine unattended.
- DO NOT sweep up explosive liquids, combustible gasses or undiluted acids or solvents. This includes petrol, paint thinner or heating oil which can generate explosive fumes or mixtures upon contact with the suction air. Acetone, undiluted acids and solvents must also be avoided as they can harm the materials on the machine.
- DO NOT sweep up reactive metal dusts such as aluminium, magnesium and zinc. They form explosive gases when they come in to contact with highly alkali or acidic detergents.
- DO NOT sweep up any burning or glowing objects.
- The machine may not be used or stored in hazardous areas.
- If the machine is to be used in a hazardous area such as a filling station, the corresponding safety provisions must be observed.
- For air cooling a minimum of 1m is required all around the machine.
- Fire risk- Fuel can expand and overflow in a hot environment or moving vehicle. Explosion risk- LPG/ Petrol can leak and the vapour is heavier than air.



Safety Information

⚠ Engine Safety

- This machine is equipped with an internal combustion engine. Do not use on, or near, forest-covered or brush-covered land unless the exhaust system is equipped with a spark arrester meeting applicable local, state, or federal laws.
- A spark arrester, if used, must be maintained in effective working order by the operator.
- Never start or run the engine inside a closed area. The exhaust fumes are dangerous, containing carbon monoxide, an odorless and deadly gas. Operate this unit only in a well-ventilated outdoor area. (See carbon monoxide safety).
- Do not tamper with the engine in an effort to get it to run at higher speeds. The maximum engine speed is preset by the manufacturer and is within safety limits.
- Keep a fire extinguisher on hand when operating this machine in dry areas as a precautionary measure.
- Never leave the operating position when the engine is running.
- The engine parts get very hot when running, do not touch. Danger of burns.
- Follow the instructions to ignite the engine carefully whilst keeping feet away from moving parts.
- Never incline the machine during ignition. Ignite the machine on a flat surface without obstacles or high grass.
- Do not over-rev the engine or change the engine settings.
- Never pick up or carry the machine while the engine is running.
- Stop the engine whenever you leave the machine, or before refuelling, when cleaning or while maintaining.
- Reduce the throttle setting during engine shut down and, if the engine is provided with a shut-off valve, turn the fuel off at the conclusion of working.
- Do not tilt the machine when starting the engine.



Safety Information

⚠ Carbon Monoxide

⚠ DANGER!

Engine exhaust fumes contain Carbon Monoxide. This is a poisonous gas and can kill in minutes. **NEVER** use inside a building or in an area with poor ventilation. **NEVER** use inside a confined space, such as but not limited to a house, garage, vehicle, boat or tent. **ONLY** use outside and far away from windows, doors and vents.

CARBON MONOXIDE IS A COLOURLESS, ODOURLESS GAS. INHALING THIS GAS CAN CAUSE DEATH OR SERIOUS LONG-TERM HEALTH PROBLEMS SUCH AS BRAIN DAMAGE.

Never operate the engine in a confined space where dangerous carbon monoxide fumes can develop. All ignition operations have to be effected in an open or well-ventilated area. Always remember that exhaust fumes are toxic.

The symptoms of carbon monoxide poisoning can include but are not limited to the following; Headaches, dizziness, nausea, breathlessness, collapsing or loss of consciousness.

Carbon monoxide poisoning symptoms are similar to flu, food poisoning, viral infections and simply tiredness. It is quite common for people to mistake this very dangerous poisoning for something else.

To avoid carbon monoxide poisoning **DO NOT** use Petrol/Diesel powered equipment inside any of the following; Home, garage, tent, camper van, mobile home, caravan or boat. **DO NOT** use in an enclosed area or moving vehicle. This is not exhaustive and if you are in any doubt contact your dealer.

If you think you have or someone around you has been affected by carbon monoxide poisoning; Get them fresh air immediately, by leaving the affected area or by opening doors and windows. If safe and practical to do so make sure that the machine is turned off. **DO NOT** enter a room you suspect of having carbon monoxide present – instead call the emergency services.

Contact a Doctor immediately or go to Hospital – let them know that you suspect carbon monoxide poisoning.



Safety Information

⚠ Fuel Safety



CAUTION! ALL FUELS ARE HIGHLY FLAMMABLE AND PETROL VAPOUR IS EXPLOSIVE. TAKE EXTREME CARE WHEN HANDLING FUEL. KEEP FUEL OUT OF REACH OF CHILDREN.

General Safety

- Do not smoke each time fuel is handled.
- ALWAYS avoid inhaling fumes.
- ALWAYS carry fuel in the correct and clearly marked container.
- ALWAYS wear correct, suitable and fit for purpose Personal Protective Equipment (PPE), suggested items are but not limited to safety gloves and overalls.
- To avoid sparking or arcing, keep grounded conductive objects – such as tools – away from exposed, live electrical parts and connections. These events could ignite fumes or vapors.
- Do not operate the machine with known leaks in the fuel system.
- Fire hazard - keep fuel away from all sources of ignition for example heaters, lamps, sparks from grinding or welding.
- DO NOT carry out hot work on tanks that have contained fuel.
- ALWAYS keep the work area tidy.
- ALWAYS dispose of waste fuels correctly.
- Serious personal injury can occur when petrol is spilled on yourself or your clothes. Rinse your skin and change your clothes immediately.

Spilled Fuel

- If you have spilled fuel, make sure you do not attempt to ignite the engine but move the machine away from the area of spilled fuel and avoid creating any source of ignition until the fuel has evaporated and fuel vapours have dissipated.
- When fuel is spilled on yourself or your clothes, wash your skin and change clothes immediately.
- ALWAYS clean up spills promptly using absorbent granules and a lidded bin.



Safety Information

Fueling / De-Fueling

- ALWAYS fuel and de-fuel in a well ventilated area outside of buildings. Use a funnel to add fuel, only outdoors. Do not smoke during this and each time fuel is handled.
- Add fuel before igniting the engine, never remove the fuel tank cap or add fuel whilst the engine is running or when it is hot.
- When de-fueling ALWAYS use a proper fuel retriever.
- Never overfill the fuel tank. Engine heat can cause fuel to expand, never fill the tank to more than 1/2" below the bottom of the filler neck. This will provide space for fuel expansion.
- When refilling or draining the fuel tank, use an approved fuel storage container while in a clean, well-ventilated outdoor area. While adding fuel or operating the unit, do not smoke, and stay away from sparks, open flames, or other sources of ignition near the area of operation.
- Always stop the engine and allow it to cool before filling the fuel tank. Never remove the cap of the fuel tank or add fuel while the engine is running or when the engine is hot.
- Loosen the fuel tank cap slowly to relieve any pressure in the tank.
- ALWAYS keep the handles dry, clean and free of oil and fuel.
- After fueling, ensure to tighten the cap securely.
- Never use the lock-function when filling with fuel.

Storage

- Store fuel in containers specifically designed and approved for fuel storage.
- Store fuel in a cool, well-ventilated area, safely away from sparks, open flames, or other sources of ignition.
- Never store fuel – or a machine with fuel in the tank – inside a building where fumes may reach a spark, open flame, or any other source of ignition (such as a water heater, furnace, or clothes dryer). Allow the engine to cool before storing in any enclosure.
- Replace all fuel tank and container caps securely and wipe up spilled fuel. Never operate the unit without the fuel cap securely in place.



Safety Information


⚠ Batteries (Where Present)

Batteries present a risk if they become damaged by the possible leaking of electrolyte. This electrolyte is an acid and can cause serious burn injuries. Care should be taken when working on or near them. **NOTE** the electrolyte may be in a liquid or gel form.

Should you come in to contact with electrolyte you should;

- Remove all clothing contaminated with electrolyte. If you cannot remove then saturate them in water.
- Get medical assistance as soon as possible.

You must advise the medical staff of the type of acid.

- Lead/acid battery = dilute sulphuric acid.
 - Nickel/cadmium = potassium hydroxide alkali electrolyte.
 - Use fresh running water to wash off excess electrolyte, continue this until medical assistance arrives. Make sure that you do not wash the electrolyte to another part of your body or face.
 - If electrolyte comes in to contact with Eyes the electrolyte needs to be immediately washed away with large amounts of water. Make sure that you do not wash the electrolyte to another part of your face or body.
 - Gasses from charging batteries are highly flammable and great care should be taken to charge in well ventilated areas.
-  • There is an explosion risk if the battery terminals are short circuited, when connecting/disconnecting ALWAYS exercise great care so that the terminals or battery leads are NOT allowed to touch and cause a spark. ALWAYS use suitable insulated tools.



Safety Information

⚠ Electrical Safety (Where Applicable)



DANGER!

ELECTRICITY CAN KILL - NEVER WORK ON LIVE/ENERGISED EQUIPMENT.

- Prior to carrying out any maintenance work you **MUST** identify electrical isolation methods and isolate all electrical supplies.
- Prior to use and with all electrical supplies isolated, you **MUST** check all electrical cables, plugs and connectors for the following;
 - Are intact and have no signs of damage, to include but not limited to bare wires, chaffing, cuts and loose wiring.
 - If there are any signs of damage, the damaged item **MUST** be taken out of service until the damage has been repaired by an electrically competent person.
 - All trailing cables should be routed so as not to cause any kind of trip hazard.
 - **NEVER** work on or near electricity with wet hands, wet clothing and wet gloves.



Safety Information

⚠ Vibrations (Where Applicable)

- Prolonged use of hand held (operated) machines will cause the user to feel the effects of/from vibrations. These vibrations can lead to white finger (Raynaud's phenomenon) or carpal tunnel syndrome. This condition reduces the ability of the hand to feel and regulate temperature, causing numbness and heat sensations and may cause nerve damage and circulatory tissue death.
- Not all factors that lead to white finger disease are known, but cold weather, smoking and other diseases that affect blood vessels and blood circulation as well as large and long-lasting impact of shocks are considered factors in the formation of white finger. Note the following to reduce the risk of white finger and carpal tunnel syndrome;
 - Wear gloves and keep your hands warm.
 - Take regular breaks.
 - All of the above precautions may help reduce the risk of white finger disease but not rule out the carpal tunnel syndrome. Long-term and regular users are therefore recommended to observe the condition of your hands and fingers. Seek medical attention immediately if any of the above symptoms should occur.

⚠ Noise (Where Applicable)

- The operating noise of the machine can damage your hearing. When wearing protection such as earplugs or ear defenders to protect your hearing. Long-term and regular users are advised to have hearing checked regularly. Be especially vigilant and cautious when wearing ear protection because your ability to hear alarm warnings will be reduced.
- Noise emissions for this equipment is unavoidable. Carry out noisy work at approved times and for certain periods. Limit the working time to a minimum. For your personal protection and protection of people working nearby it is also advisable for them to wear hearing protection.



- See Certificate of Conformity section for Outdoor Noise declaration of conformity.



Safety Information

⚠ Personal Protective Equipment

Appropriate Personal Protective Equipment (PPE), MUST be worn at all times when operating or repairing the machine. No protective equipment can ensure 100% protection.

When selecting PPE, make sure it's CE marked and it suits the user in terms of size, fit, etc. If more than one item of PPE is worn at the same time, make sure they can be used together, e.g. wearing safety glasses may disturb the seal of a respirator, causing air leaks.



HAND PROTECTION MUST BE WORN

Protective electrically non-conductive gloves are highly recommended when working.



FOOT PROTECTION MUST BE WORN

Non-skid heavy duty footwear are highly recommended when working.



HEARING PROTECTION MUST BE WORN

Suitable safety hearing protection is recommended.



EYE PROTECTION MUST BE WORN

Always wear safety glasses/goggles and/or face shields. Everyday eyeglasses have only impact resistant lenses; they are not safety glasses/goggles.



PROTECTIVE CLOTHING MUST BE WORN

Do not wear loose clothing, gloves, scarfs, neckties or jewellery (rings, wrist watches), which can be caught in moving parts.



HEAD PROTECTION MUST BE WORN

Wear a safety helmet with a safety visor.



FACE SHIELD MUST BE WORN

Wear a face shield to protect your face.



RESPIRATOR MUST BE WORN

Wear a respirator.



Safety Information

Intended Use

The HYSW1000 is a petrol powered sweeper from HYUNDAI. The HYSW1000 has a working width of 1M and is powered by a 173cc engine.

The sweeper is manufactured according to the latest safety requirements. Every precaution is only effective when it is followed exactly.

Intended Use

This appliance is intended exclusively for use for brushing operation in property care and snow clearance.

User Types

This machine is intended for use by consumers, i.e. non professional operators. The machine is intended for "DIY" and domestic use only.

This tool is not intended for use by persons (including children) with reduced physical, sensory or mental capabilities, or lack of experience and knowledge, unless they have been given supervision or instruction concerning use of the machine by a person responsible for their safety. Never allow children or people unfamiliar with these instructions to use the tool. Supervise children. This will ensure that children do not play with the unit.

Any other use is not as intended. Improper use is not covered by the warranty and the manufacturer will reject any liability. The user is liable for all injuries to third parties and damage to their property. Operate the unit only in the technical condition as stipulated and delivered by the manufacturer. Arbitrary changes to the unit will exclude the manufacturer from any liability for resulting injury and/or damage.

Improper Use

Any other usage not in keeping with the above mentioned ones may be hazardous and harm persons and/or damage things. Examples of improper use may include, but are not limited to:


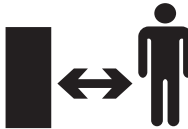








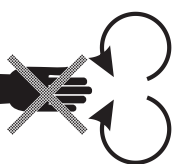


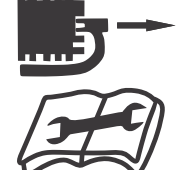
- transporting people, children or animals on the machine
- letting yourself be transported by the machine
- using the machine to tow or push loads
- use of the machine by more than one person



Safety Information

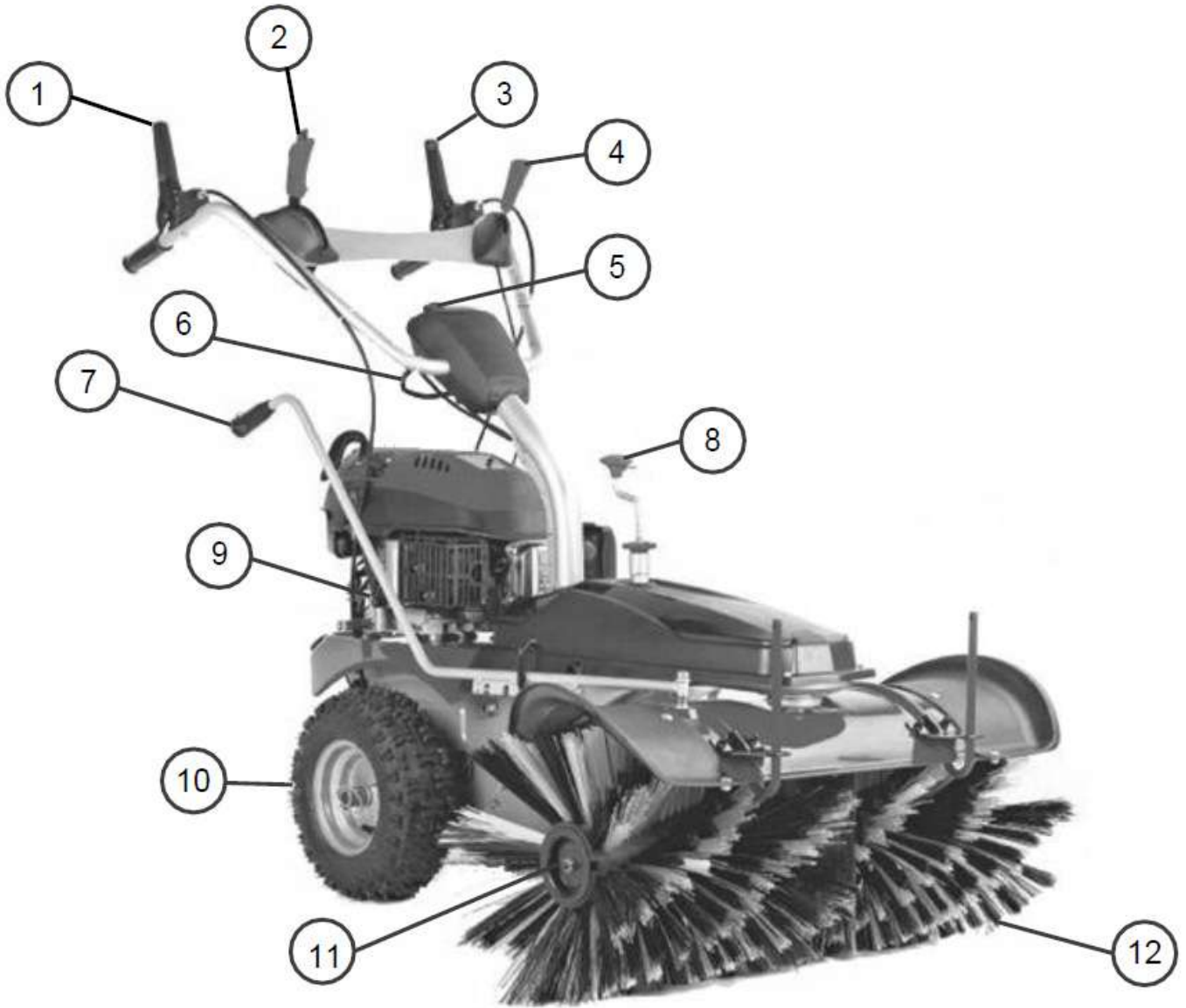
Symbols On The Machine

We have provided safety messages in this manual and on the machine. This information alerts you to potential hazards that could hurt you or others. Please read these messages carefully. However, we may not have listed all of the possible hazards, you must also use your own judgment.

 <p>IMPORTANT Please read this instruction manual carefully, especially the safety warnings marked with the symbol.</p>	 <p>BYSTANDERS Never allow any bystanders in front of the unit. Keep a 15 metre safety distance.</p>
 <p>INSTRUCTION MANUAL Read and understand operator's manual before using the machine. Failure to follow instructions could result in death or serious injury.</p>	 <p>RISK OF EXPLOSION Do not top up with fuel whilst engine is running.</p>
 <p>PPE Ear muffs and boots with non-slip soles with steel jacket are required. Avoid loose-fitting clothes.</p>	 <p>RISK OF EXPLOSION Petrol is a hazard and can explode. Smoking and open fire are prohibited.</p>
 <p>FOOT PROTECTION Non-skid heavy duty footwear are highly recommended when working.</p>	 <p>CARBON MONOXIDE Never operate the engine indoor or in areas with low ventilation. The exhaust gas from the engine contains carbon monoxide.</p>
 <p>WARNING Keep feet away from the moving parts of the machine.</p>	 <p>CARBON MONOXIDE DANGER Do not use the machine in closed or poorly ventilated environments.</p>
 <p>WARNING Do not touch the rotating parts.</p>	 <p>HOT ENGINE PARTS Be cautious on hot engine parts.</p>
 <p>SAFETY DISTANCE Do not put hands or feet near or under rotating parts. Keep a 15 metre safety distance.</p>	 <p>WARNING Always disengage the levers, turn off the engine, and remove the spark plug, when the unit is left unattended or during maintenance.</p>

Features

HYSW1000 Features



Features

HYSW1000 Features

- 1 Drive Clutch Lever
- 2 Brush Speed Adjustment Lever
- 3 Brush Working Clutch Lever
- 4 Engine Speed Adjustment & Stop Lever
- 5 Electric Push Button Start
- 6 Handle Height Adjustment Lever
- 7 Brush Direction Adjustment Lever
- 8 Brush Height Adjustment Lever
- 9 Forward / Reverse Shift Lever
- 10 Rear Wheels
- 11 Support Wheel
- 12 Brush



Unboxing

⚠ Unboxing Safety

⚠ WARNING! Unboxing and assembling the machine should be done on a flat, stable surface with enough room. Disposal of the packaging should be done in accordance with the local regulations in force.

⚠ WARNING! Some of the packaging material may be harmful to children. Keep out of reach of children.

⚠ CAUTION! Use caution when unpacking this machine. Some components are heavy and will require additional assistance or mechanical handling equipment.

Carefully remove the product from the packaging and examine it for any sign of damage caused during shipping. Lay the contents out and check them. If any part is damaged or missing, you must not use the machine. Contact HYUNDAI Power Products immediately. You must keep the packaging material in case the machine needs to be returned or repaired.

Ensure that you have all the accessories and tools you need for assembly and operation including the suitable personal protective equipment.

Box Contents

- User Manual
- HYSW1000
- Assembly Tools



Assembly

⚠ Assembly Safety

⚠ CAUTION - This guide is meant to serve as a quick reference for operating your HYUNDAI machine. We always advise reading the manual in full before operation.

⚠ CAUTION - For OUTDOOR use ONLY. Petrol machines produce carbon monoxide – poisonous, colourless and odourless gas that can cause serious injury or death. Petrol is highly flammable, always handle with extreme care and in a well ventilated area.

⚠ NOTE - Images may vary depending on model.

⚠ NOTE - The machine may be supplied with some parts already assembled. Prior to assembly, check all items have been received. The mulching plug may already be installed for transport.

⚠ NOTE - This machine is shipped without fuel and oil and MUST be filled before use. Failure to do so may cause damage to the engine that will not be covered by warranty.

We recommend that you fill out the information on page 66. If you need to contact an authorised dealer or customer service for information on servicing, you may need to provide this information.

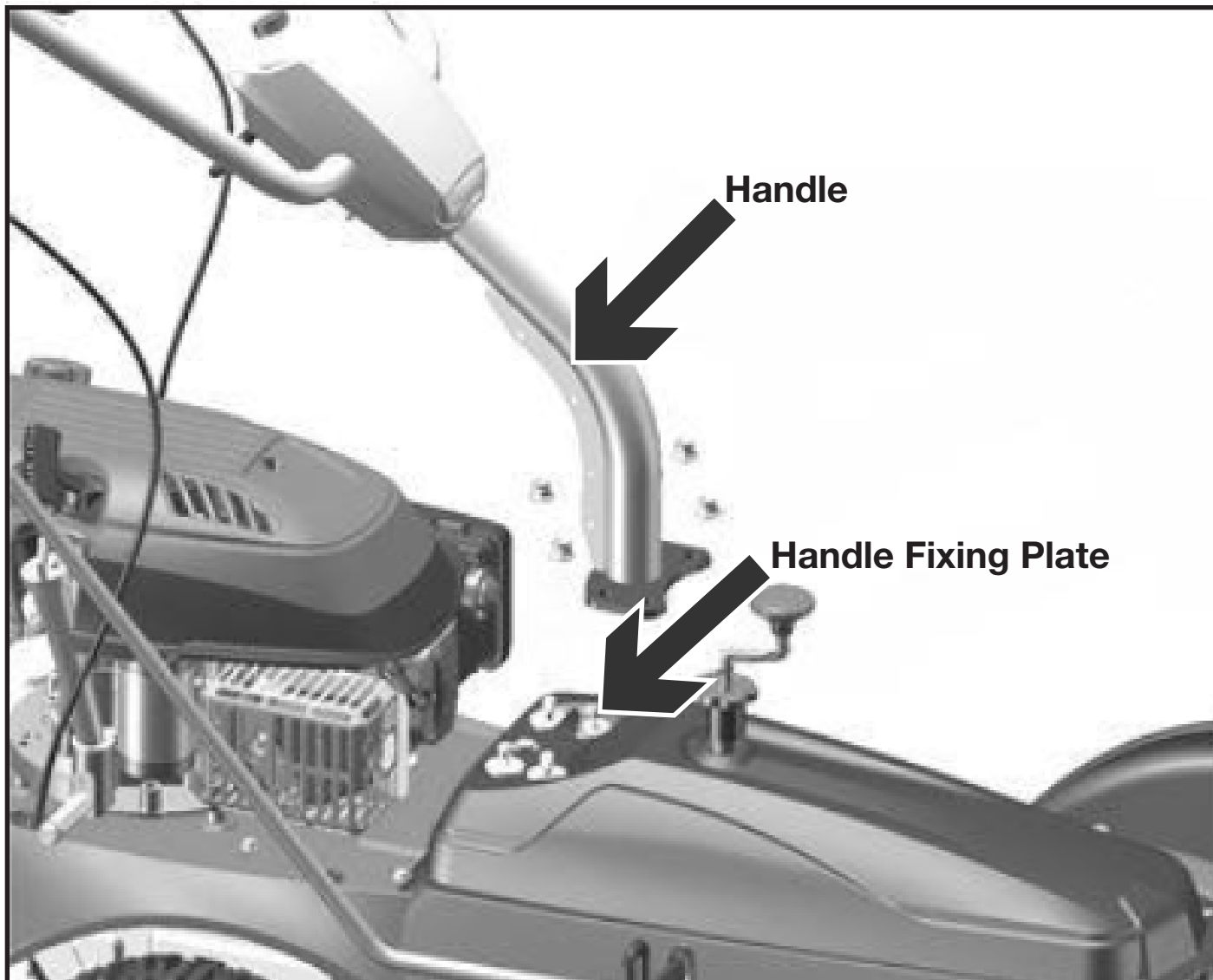
There is also a service record so you can keep track of your machine service dates.



Assembly

Step 1 : Attach Handle Bar

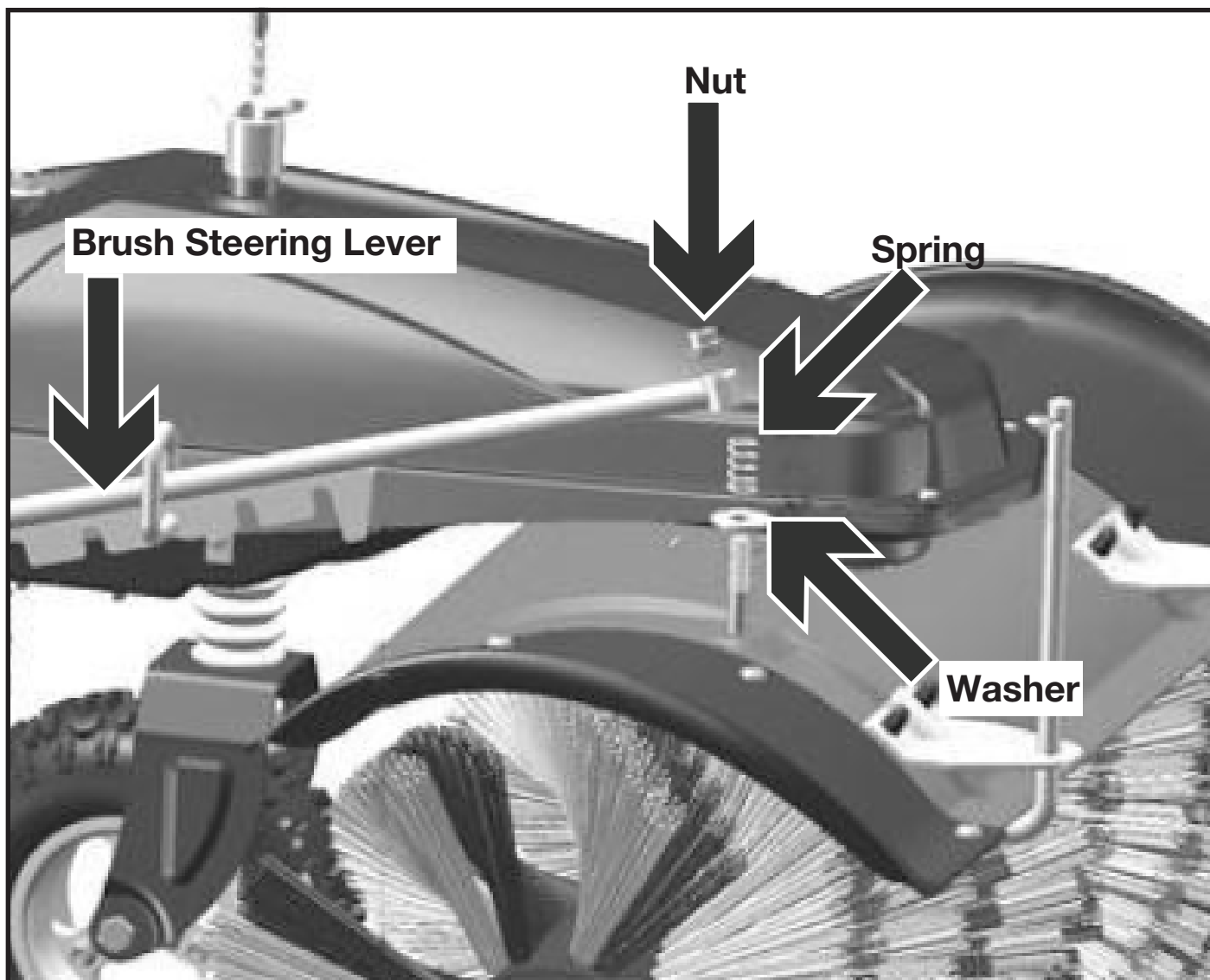
- 1 Attach the handle to the handle fixing plate on the sweeper using the nuts provided.



Assembly

Step 2 : Attach Brush Steering Lever

- 1 Attach the brush steering lever to the front of the machine.

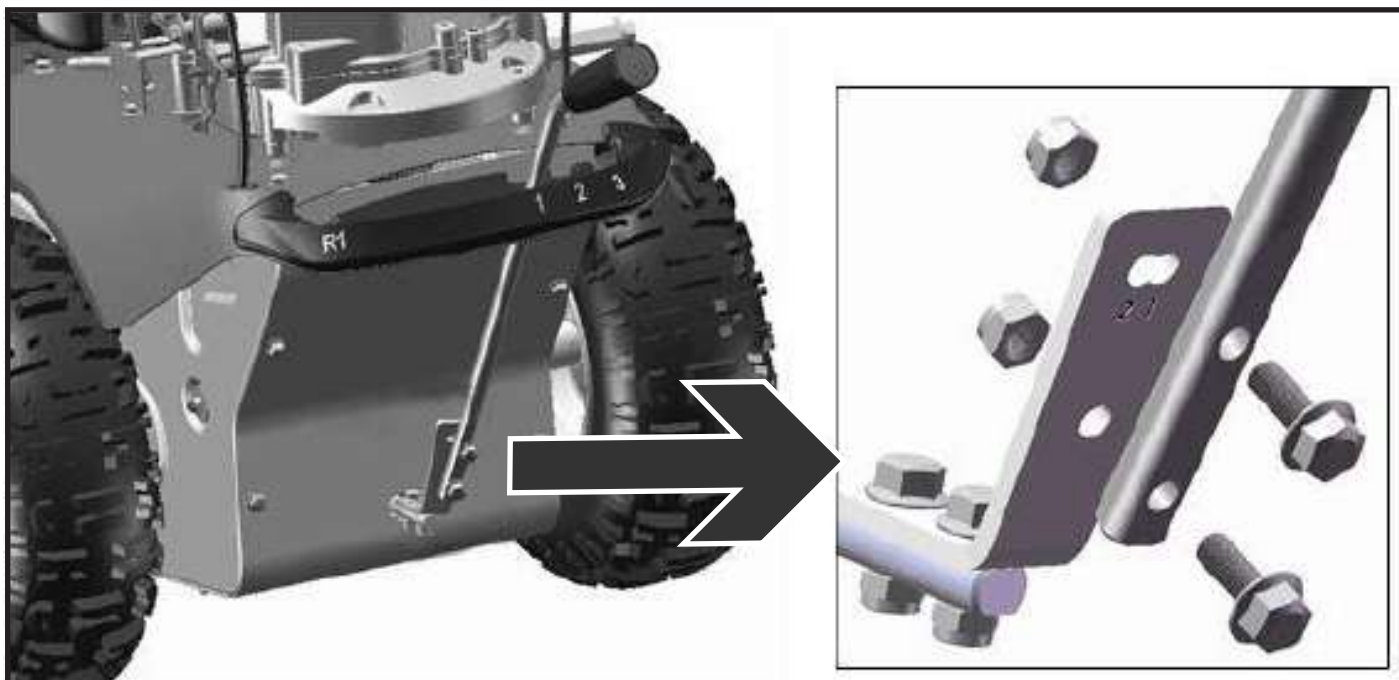


Assembly

Step 3 : Install Shift Lever

- 1 Install the shift lever to the rear of the sweeper.

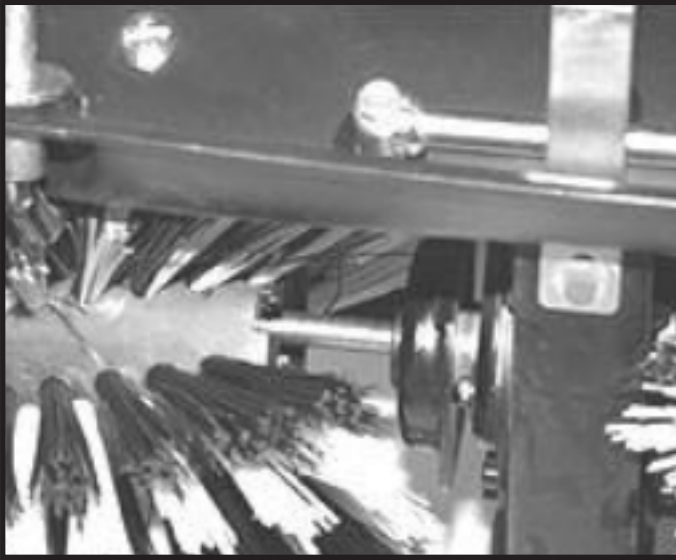
▲NOTE: You should install the shift lever into position '1' for new machines.
After 100 hours or if as you become more comfortable with the machine speed, you can adjust the lever to position '2' or '3'.



Assembly

Step 4 : Attach Brush

- 1 Slide the brush assembly over the drive shaft on either side of the sweeper and locate the drive pin into the cut out on the brush shaft.



- 2 Place the washer and nut over the end of the drive shaft and tighten securely.



Preparation

Adding Oil

Oil Type : SAE 30 or 15w40 Engine Oil
Oil Capacity : 600ml

NOTE - The machine is delivered without oil in the engine. All machines are tested and inspected so there may be some residual oil left in the machine so please fill with caution.

- 1 Place the sweeper on a flat surface. Remove the oil filler cap.
- 2 Fill with fresh SAE 30 or 15W40 engine oil to the upper mark on the dipstick. Stop occasionally to check the level. DO NOT overfill.
- 3 Once the correct amount of oil has been added, refit the dipstick securely.



Checking Oil Level

- 1 Remove the oil filler cap and wipe the dipstick clean.
- 2 Remove the dipstick and check the oil level. It should be up to the upper mark on the dipstick.
- 3 If the oil level is too low, add SAE 30 or 15W40 engine oil to the upper mark on the dipstick. DO NOT overfill. The oil level should not be above the upper mark on the dipstick. If you do overfill, read the 'Changing / Draining Oil' section below for more information on draining oil.
- 4 Once the correct amount of oil has been added, refit the dipstick securely.

Preparation

Adding Fuel



Make sure you read the fuel safety before handling fuel.

Fuel Type : Fresh Straight Unleaded Petrol
Fuel Capacity : 1L

NOTE - The machine is delivered without petrol. All machines are tested and inspected so there may be some residual petrol left in the machine so please fill with caution.

- 1 Remove the fuel tank cap.
- 2 Fill the fuel tank with fresh straight unleaded petrol. Allow a 25mm gap from the top of the tank, then refit the cap securely. DO NOT mix petrol with oil and clean up any spills immediately.

NOTE - DO NOT overfill. The fuel tank only needs to contain enough fuel to complete the days work. If you run out of fuel, refilling must only be done once the engine has cooled down. Fuel stored within the machine for 28 days or more can go stale and should be drained before further use.

NOTE - Make sure not to drip petrol onto the plastic parts to prevent damaging them and remove all traces of spilt petrol immediately. The warranty will not cover damage to plastic parts caused by petrol.

- 3 Refit the fuel filler cap securely and clean up any fuel spilt before starting the engine.

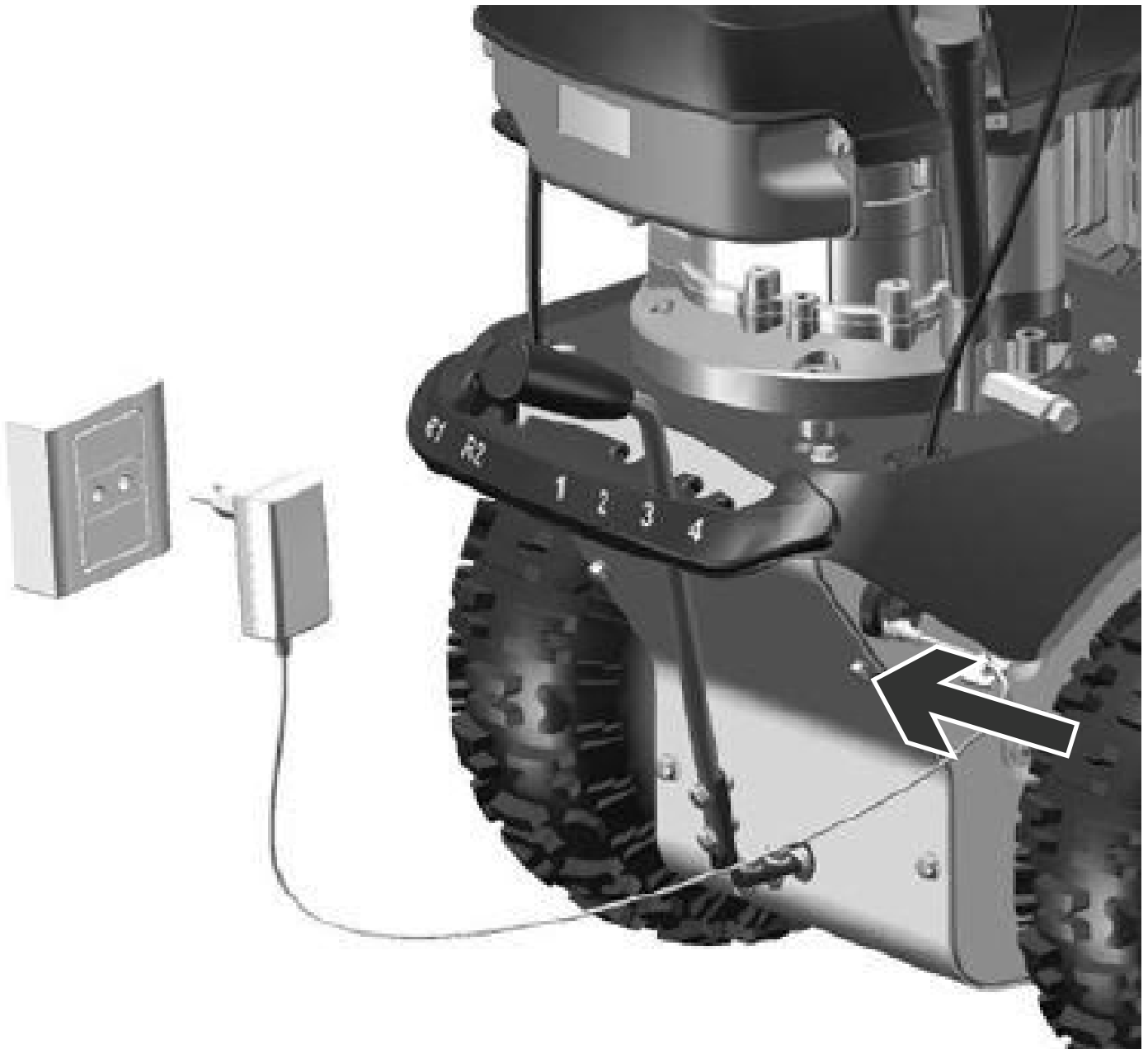


Preparation

Charging The Battery

▲NOTE : Charging time is 5 hours.

- 1 For electric start models, the battery must be charged before first use and after every 10 uses.
- 2 Connect the charging plug to the battery using the charging port located at the back of the sweeper.
- 3 Plug the other end of the charger into a standard 3 pin wall socket and turn on to charge.
- 4 Once charged, turn off the plug at the wall and then remove the charger from the charging socket on the sweeper.



Preparation

Before Each Use

⚠ YOU MUST read and understand the full safety instruction manual before starting the machine.

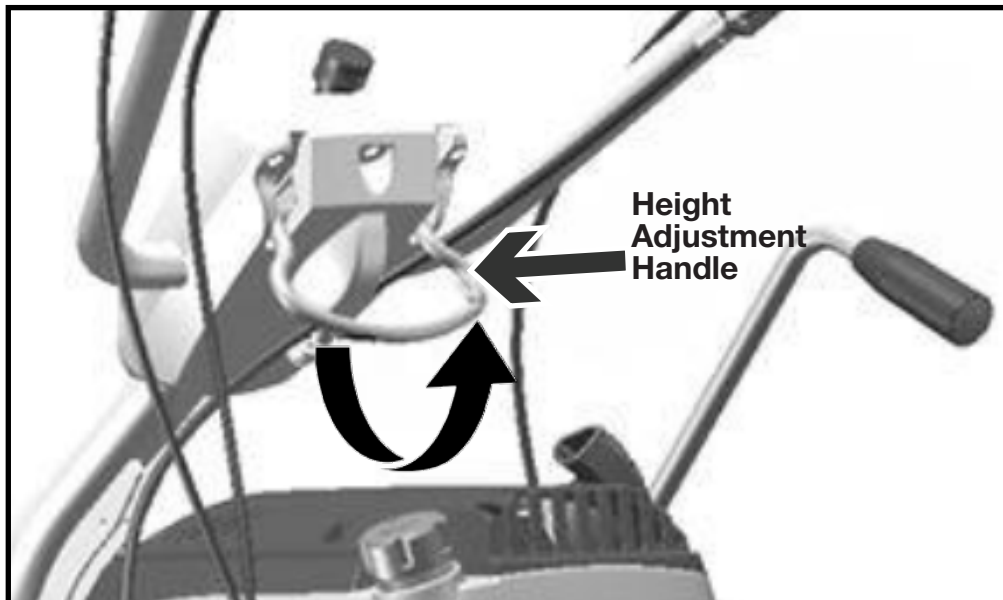
⚠ CAUTION - For OUTDOOR use ONLY. Petrol machines produce carbon monoxide – poisonous, colourless and odourless gas that can cause serious injury or death. Petrol is highly flammable, always handle with extreme care and in a well ventilated area.

- 1 Always ensure that the machine is in a safe working condition. Inspect and check safety devices and guards and check all nuts, bolts and screws are secure.
- 2 Check the oil level and fill the fuel tank.
- 3 Make sure you know how to stop the machine and ensure you are familiar with emergency stop.
- 4 Start the machine following the instructions and stay clear of the machine's moving parts.

Operation

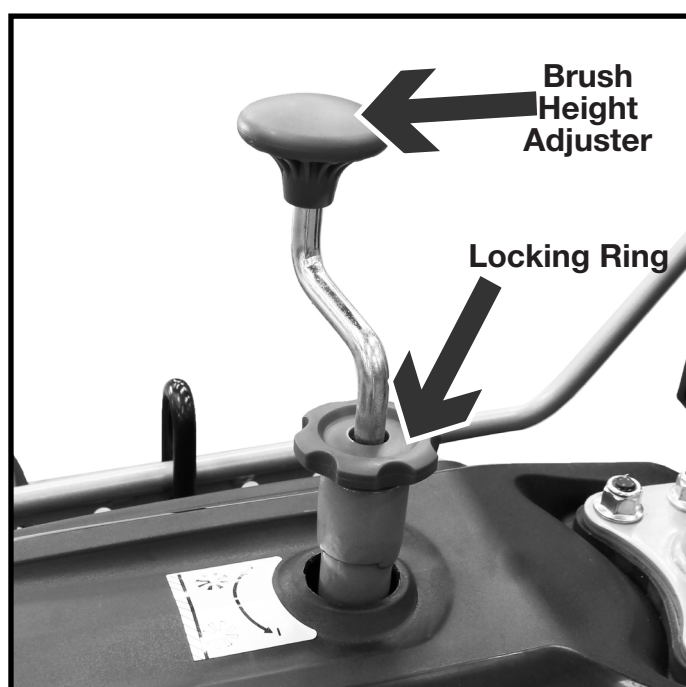
Handle Height Adjustment

- 1 Adjust the handles to one of 3 different heights to find a comfortable operating height.



Brush Height Adjustment

- 1 To adjust the brush height, undo the locking ring by turning anti-clockwise.
- 2 Turn the brush height adjuster up or down depending on the brush height you require.
- 3 Once the desired height has been reached, retighten the locking ring to lock the brush height in to place.



Operation

Brush Angle Adjustment

- 1 To change the angle of the brush, push the brush direction adjustment lever down. See image 1.
- 2 Turn the brush direction lever to one of the 5 pre-set angles.
- 3 Lift the angle adjustment lever back up to lock the brush angle into place.

Brush Activation

- 1 To activate the brush, press down on the brush working clutch lever on the left handlebar. See image 2.
- 2 Release the lever to stop the brushes.

Image 1

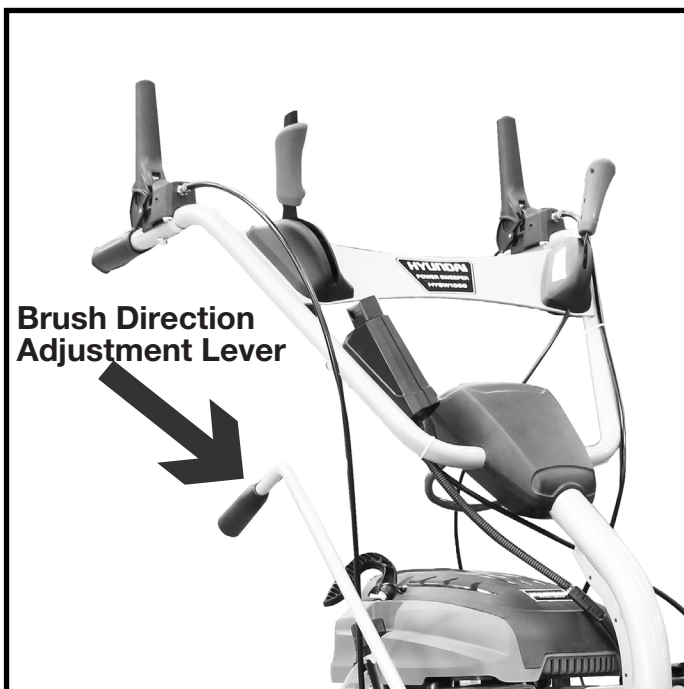
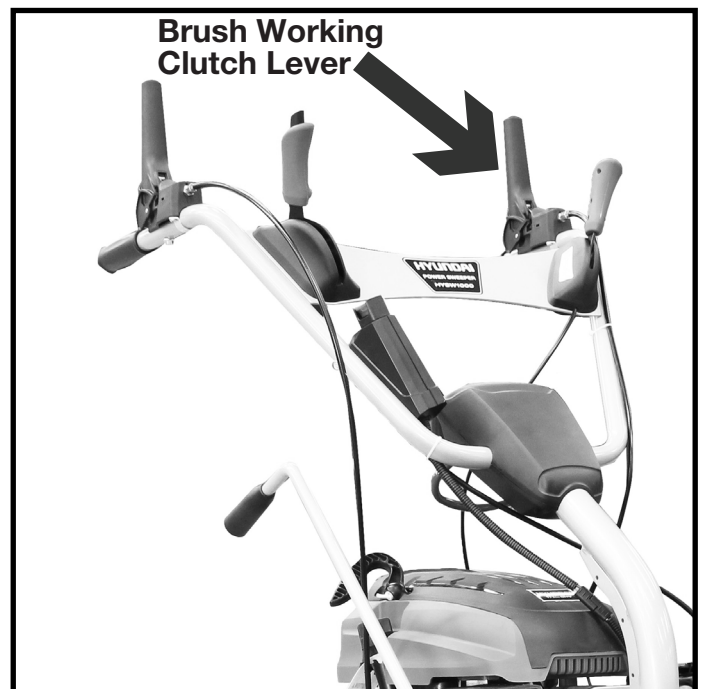


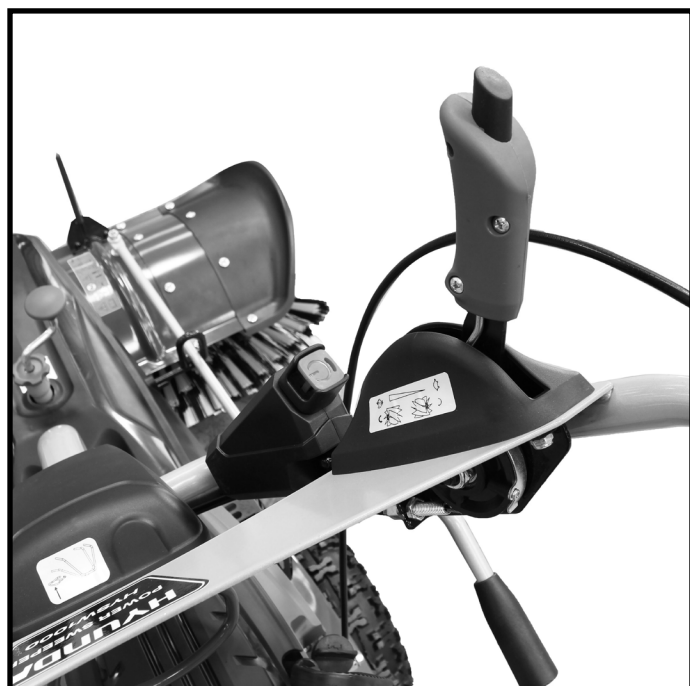
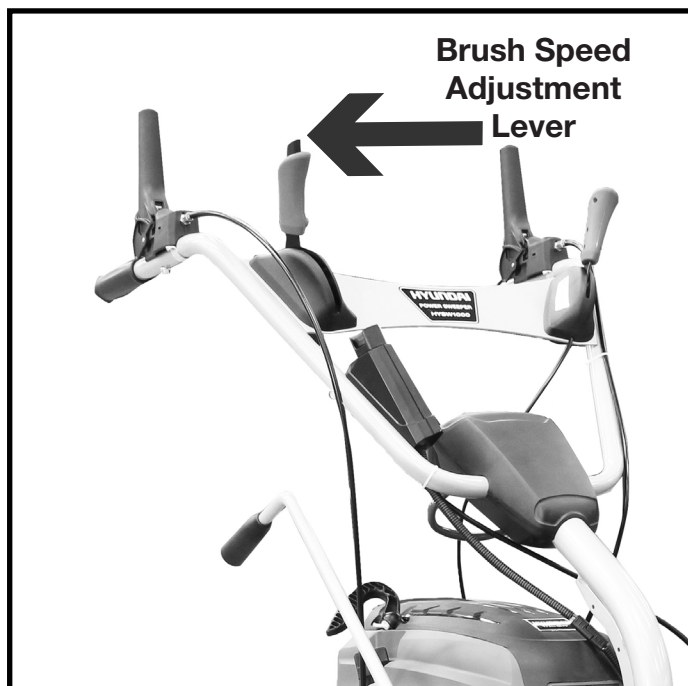
Image 2



Operation

Brush Speed Adjustment

- 1 Press down the button on the brush speed adjustment lever and move the lever forwards or backwards to increase or decrease the brush speed.
- 2 Once the desired speed has been selected, release the button.

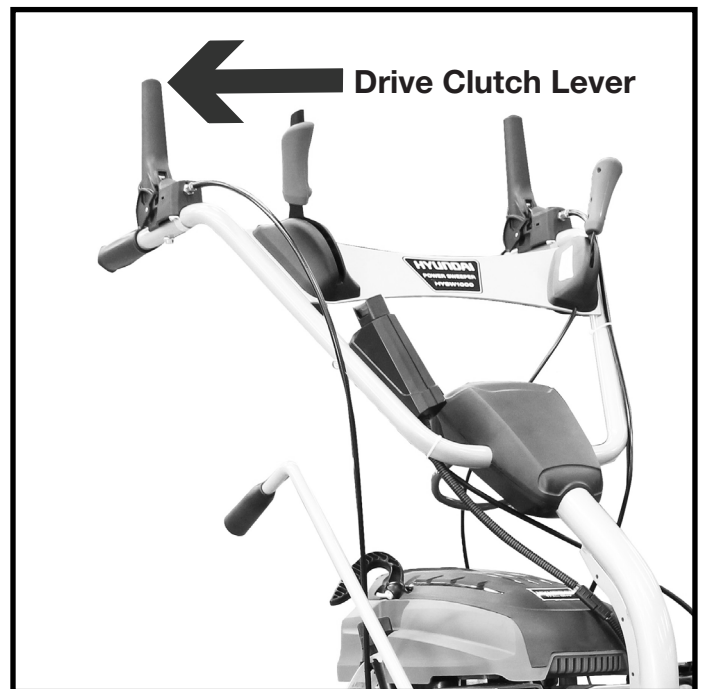
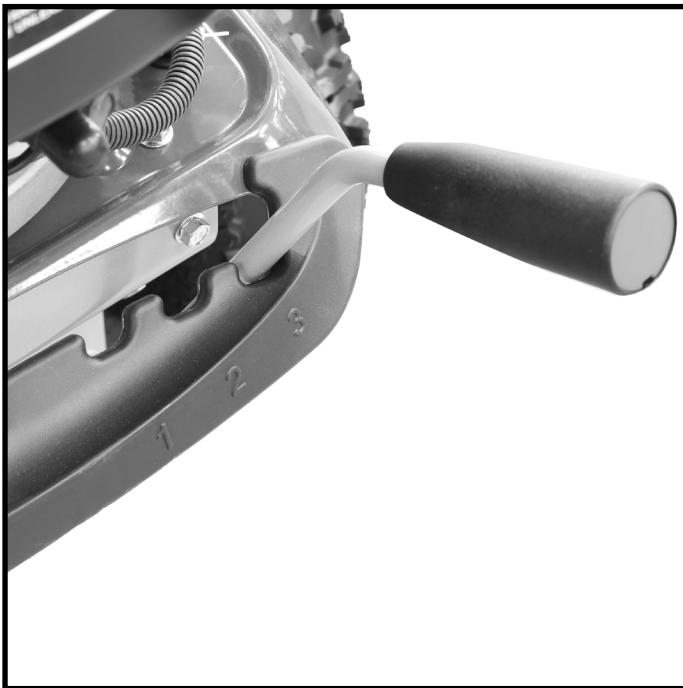


Operation

Drive

⚠ NOTE : ALWAYS release the drive clutch lever when selecting forward or reverse gears. Adjusting the lever while the sweeper is moving can damage the gearbox of the sweeper, which will not be covered by warranty.

- 1** You should install the shift lever into position '1' for new machines. After 100 hours or if as you become more comfortable with the machine speed, you can adjust the lever to position '2' or '3'.
- 2** There are 3 forward gears and 1 reverse gear. Select the correct gear by using the forward / reverse lever.
- 3** Once the correct gear has been selected, push down on the driving clutch lever on the right handlebar to engage the sweepers drive.
- 4** Release the drive clutch lever to stop the drive.



Starting Procedure

Electric Start

- 1 For cold start, press the primer bulb 5 to 6 times. You do not need to do this for warm start. **See image 1.**
- 2 Push the engine speed adjustment lever to the 'CHOKE or COLD START' position. **See image 2.**
- 3 Press the start button until the engine tries to start. **See image 3.**
- 4 Move the engine speed adjustment lever to the 'RUN' position.
- 5 Press the start button again, until the engine fires.
- 6 Adjust the engine speed adjustment lever until the desired working speed is reached. Do not run engine with throttle lever in 'START' position. **See image 2.**

Image 1



Image 2

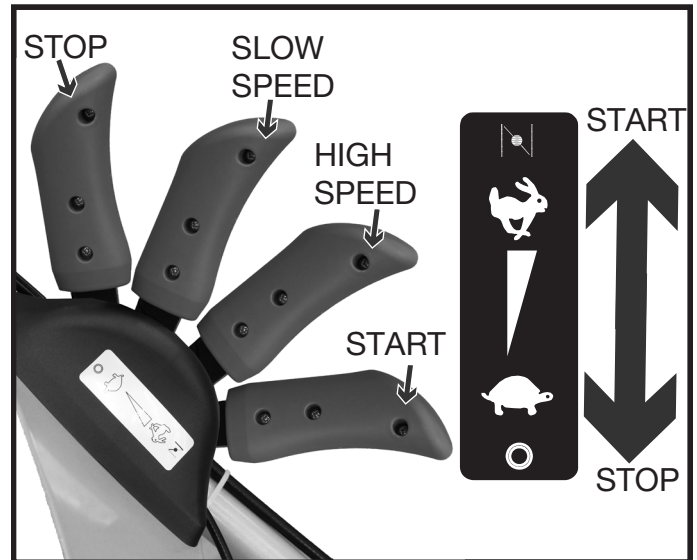


Image 3



Starting Procedure

Recoil Start

- 1 For cold start, press the primer bulb 5 to 6 times. You do not need to do this for warm start. **See image 1.**
- 2 Push the engine speed adjustment lever to the 'CHOKE or COLD START' position. **See image 2.**
- 3 Pull the recoil starter handle until you feel resistance and then pull swiftly until the engine tries to start. **See image 3.**
- 4 Move the engine speed adjustment lever to the 'RUN' position.
- 5 Pull the recoil starter handle again, until the engine fires.
- 6 Adjust the engine speed adjustment lever until the desired working speed is reached. **See image 2.**

Image 1



Image 2

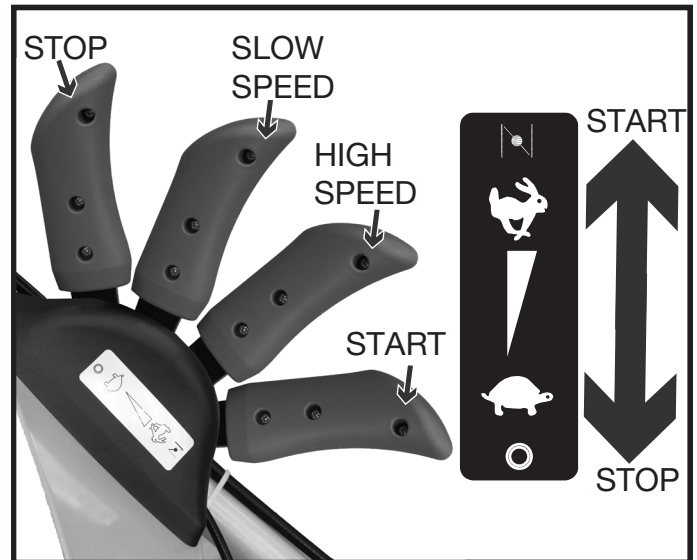
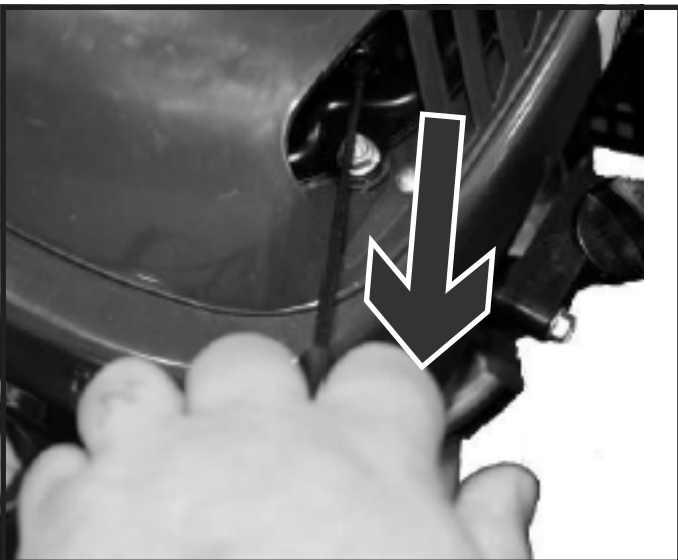


Image 3

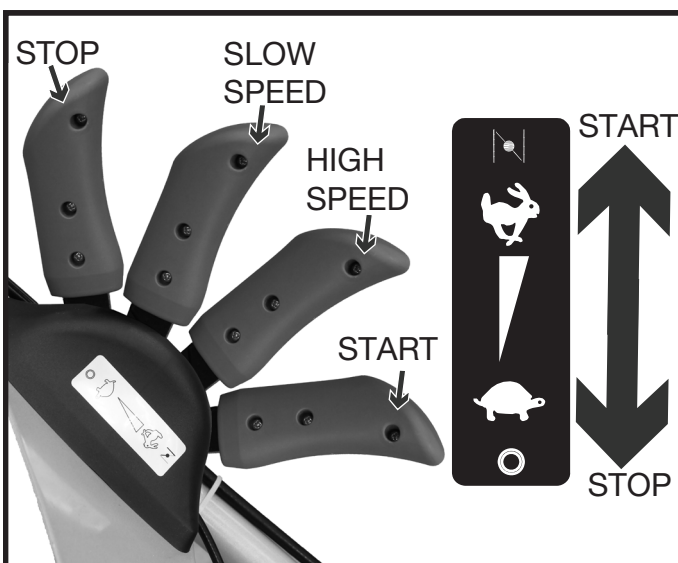


Stopping Procedure

⚠ CAUTION - The engine and exhaust will remain hot for a while after use. Ensure the engine and exhaust has cooled before carrying out any maintenance, refuelling or storage.

Stopping

- 1 Release the brush and drive clutch lever.
- 2 Allow the engine to idle for 20 seconds.
- 3 Move the engine speed adjustment lever to the 'STOP' position.



Maintenance

⚠ Maintenance Safety

⚠ IMPORTANT - Routine and accurate maintenance is essential for maintaining original machine safety and performance levels.

⚠ WARNING - Before cleaning or doing maintenance work, you need to stop the engine, disconnect the spark plug cable, wait for the machine to cool and read the relevant instructions. You need to wear proper clothing and protective gloves whenever your hands are at risk.

⚠ If there are worn or damaged parts, never use the machine. Faulty or worn-out parts must be replaced and not repaired. You must only use original spare parts. The use of non-original and/or incorrectly fitted parts will jeopardize the safety of the machine. This may also cause accidents or personal injuries for which the manufacturer is under no circumstance liable or responsible.

⚠ Any maintenance operations or adjustments not explained in this manual must be carried out by your Dealer or a specialised Service Centre with the necessary knowledge and equipment to ensure that the work is done correctly maintaining the machine's original safety level. Any operations performed in unauthorised centres or by unqualified persons will invalidate the Warranty and all obligations and responsibilities of the Manufacturer.

⚠ Be very careful during adjustment of the machine to prevent entrapment of the fingers between moving parts and fixed parts of the machine.

Checking Your Machine

When checking your machine, we recommend you:

- Check for worn or damaged parts.
- Make sure all nuts, screws and bolts are tight.
- Make sure all warning stickers are in place and not damaged.
- Check for oil / fuel leaks.
- Check the oil and fuel levels regularly.



Maintenance

Maintenance Schedule

Procedure	Before Each Use	First Month Or 20 Hours	Every 3 Months Or 50 Hours	Every 6 Months Or 100 Hours	Every 12 Months Or 300 Hours
Engine Oil	Check	Replace		Replace	
Gear oil	Check	Replace		Replace	
Air Filter	Check		Clean		Replace
Sediment Cup				Clean	
Spark Plug				Check	Replace
Check Tyre Pressure	Check				
Clean Engine Exterior & Cooling			Clean		
Check Brush	Check				


*More frequently in dusty environments.

⚠ CAUTION - All maintenance and repair work must be carried out by a qualified technician.



Maintenance

Cleaning

 **CAUTION - DO NOT** use a hose pipe or pressure washer to clean the engine. Water can damage the engine or contaminate the fuel system.

 **NOTE** Engine must be switched off and spark plug lead disconnected.

- You must remove grass and mud from the machine to prevent it from drying. This will cause problems the next time the machine is used.
- Wipe the machine down with a damp cloth.
- For larger build ups of debris, use a scraper or similar product.
- Dry the machine completely to prevent rust from forming.
- Make sure not to drip petrol onto the plastic parts to prevent damaging them and remove all traces of spilt petrol immediately. The warranty will not cover damage to plastic parts caused by petrol.
- Avoid using solvents when cleaning plastic parts. Most plastics are susceptible to damage from various types of commercial solvents and may be damaged by their use.

Transportation

Whenever the machine is to be handled, lifted, transported or tilted, you must:








- 1 Wear sturdy work gloves.
- 2 Hold the machine at the points that offer a safe grip, taking into account the weight and relative distribution of the same.
- 3 Use an appropriate number of people for the weight of the machine and the characteristics of the vehicle or the place where it must be placed or collected.
- 4 You must make sure that machine movements do not cause petrol leaks, damage or injuries.
- 5 During transport, make sure to fasten the machine securely with cables or straps.
- 6 The machine must be transported on a flat surface.



Maintenance




Storage

Where To Store

-  Store in a cool, dry place away from sources of ignition and varying changes in temperature.
-  Store on a flat and level surface with all wheels on the ground.
-  DO NOT stack other items on top of the machine when in storage.
-  Store the machine in a safe place, out of the reach of children or anyone who is not familiar with operation.
-  To reduce fire hazards, keep the engine, silencer, and petrol storage area free of grass, leaves, or excessive grease. Do not leave containers full of cut grass inside storage areas.
-  DO NOT store the machine with fuel in the tank in an area where the fuel vapours could reach an open flame, a strong heat source or a spark.
-  DO NOT store a machine that has not been given time to fully cool down. Engine must be cooled down fully before storage.

Short Term Storage

After use, please follow the below steps before storing your machine.

-  1 Allow the engine to fully cool down.
-  2 Clean the machine. See the 'Cleaning' section.
-  3 Store the machine following the guidelines above.



Maintenance

Long Term Storage

If storing the machine for a period of 30 days or more, you must follow proper storage and winterisation guidelines to avoid any possible issues with the machine. Incorrect storage can lead to possible fueling or engine issues that will not be covered by the warranty.

- 1 Allow the engine to fully cool down.
- 2 Drain all the fuel from the fuel tank and then run the machine until it has completely run out of fuel to clear the remaining fuel from the fuel lines and carburettor.
- 3 Drain the oil from the engine.
- 4 Follow the cleaning instructions in the 'Cleaning' section.
- 5 Follow the maintenance section and check, service or replace serviceable items if required. Visually inspect the machine and replace or repair any worn parts. Check the blade and sharpen or replace if necessary.
- 6 Lubricate all moving parts with light spray oil such as WD40.
- 7 Refill engine oil with new SAE 30 or 15w40 engine oil, fill to the upper mark on the dipstick.
- 8 Remove the spark plug and pour 1 teaspoon of fresh engine oil down the cylinder bore. Cover the spark plug hole with a lint free clean cloth, ensuring no dirt or debris falls into the cylinder chamber and gently pull the recoil starter handle to coat the cylinder bore with the fresh oil. Refit the spark plug.

Preparation To Re-Use

- 1 Check oil level before using.
- 2 Check spark plug is inserted correctly.
- 3 Fill engine with fresh unleaded petrol that has not been stored for periods of more than 30 days.



Maintenance

Air Filter

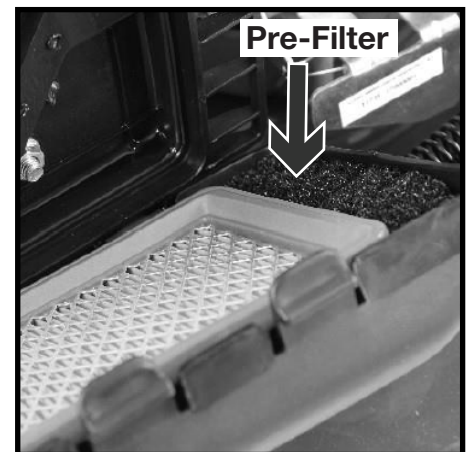
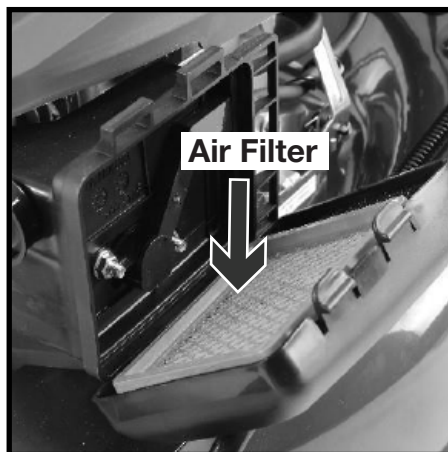
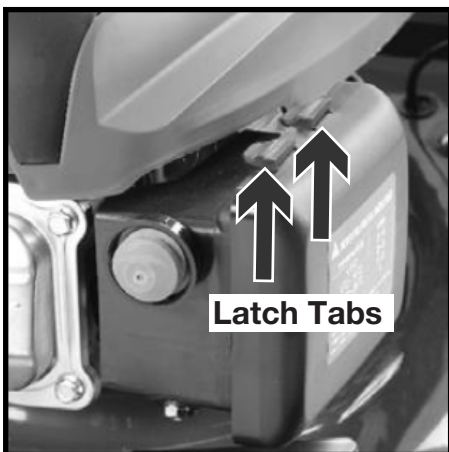
⚠ CAUTION - A dirty air filter will restrict the air flow to the carburettor, which will reduce engine efficiency.

When using the machine in very dusty areas you must clean or replace the air filter more often. Never operate the machine without the air filter being fitted it can cause damage to the engine which is not covered by warranty.

- 1 To gain access to the air filter press the 2 latch tabs.
- 2 Remove filter, check for contamination and clean or replace as required.
- 3 Clean the filter by tapping it several times on a hard surface to remove dirt, or blow air through it using an air gun not exceeding 30psi.
- 4 Also clean the foam pre-filter. Wash in detergent and let dry.
- 5 Never use a brush to clean the filter it will only drive dirt into the fibres of the filter.

Wipe dirt from the air cleaner body by using a moist rag, be careful to prevent dirt or debris entering in to the carburettor.

- 6 Reinstall the filter and cover.



Rotary Brush Gear Drive

Oil Type : ISO VG320

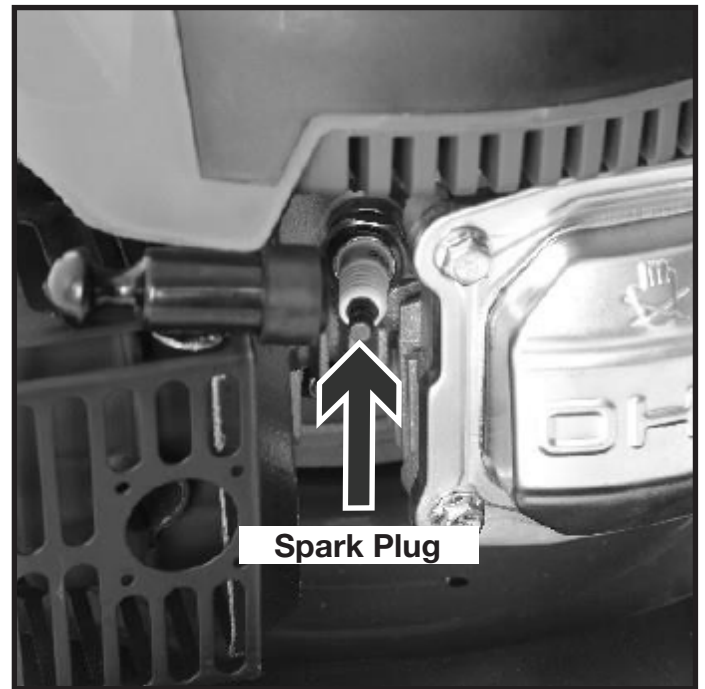
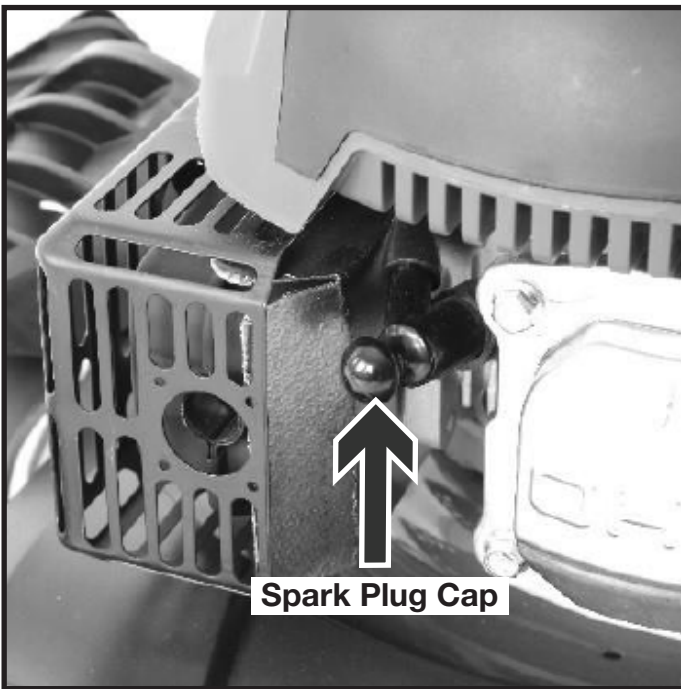
Oil Capacity : 150ml required, change oil every 12 months or 1000 hours use.

Maintenance

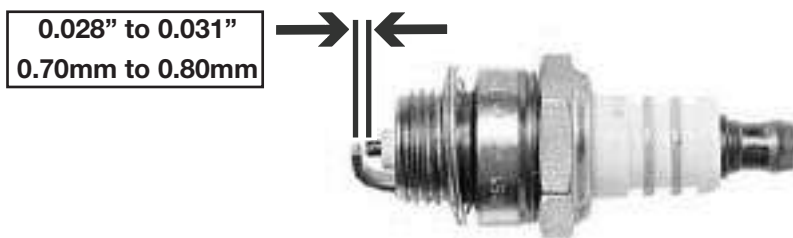
Spark Plug

For good performance, the spark plug must be properly gapped and free of deposits.

- 1 You **MUST** allow the engine to cool down before carrying out any maintenance.
- 2 Always replace with the same model spark plug as fitted.
- 3 To check spark plug, remove spark plug cap and remove spark plug.



- 4 Visually inspect the spark plug and spark plug washer. If damaged or heavily worn then replace. If reusable, clean the electrode with a soft brass brush to remove the carbon build up.
- 5 The spark plug gap should be 0.70mm to 0.80mm. Check the gap by using a feeler gauge. Adjust as necessary by carefully bending the side electrode to achieve the correct gap.



- 6 Refit the cleaned and adjusted spark plug by hand to avoid cross-threading.
- 7 After spark plug seats then tighten as necessary with a spark plug wrench but avoid over-tightening.
- 8 Re-attach the spark plug cap.

Maintenance

Changing / Draining Oil

To reduce fire hazards, check there is no oil and/or fuel leaks on a regular basis.

It is highly recommended to change the engine oil every 100 hours or 12 months. This will ensure the machine will function properly over time.

There are different ways you can empty the oil:

- The oil can be discharged at a specialised servicing centre.
- You can use an oil syringe to suction the oil out through the filler spout, bearing in mind you may need to repeat the operation several times in order to completely empty the tank.
- Gently tilt the machine with the air filter facing upwards and allow the excess oil to drain from the dipstick port, into a suitable container.

Remember to top-up with oil before using the machine again.

Fuel & Carburetor

⚠ CAUTION - ALL FUELS ARE FLAMMABLE. Always fuel and defuel in a well-ventilated area outside of buildings. Always wear correct PPE and wipe up and spills immediately.

The use of old or stale petrol will impair the starting and running of the machine.

- 1 Make sure that the machine has fresh unleaded petrol and always remove the fuel before storing for long periods of time.
- 2 To drain the carburetor float bowl, undo the drain bolt making sure that the washer is not lost. If stored for more than 2 weeks and engine will not start, drain the old fuel from the carburetor float bowl to allow fresh fuel to fill the carburetor.
- 3 Use a suitable container to catch the fuel. Take care not to spill fuel and make sure that all spilt fuel is cleared away safely. It is possible to empty the entire fuel system by this method, as the fuel tank feeds the carburetor.



**Float Bowl
Drain Bolt**

Troubleshooting

Problem	Possible Cause	Possible Solution
Engine does not start	<ol style="list-style-type: none"> ❶ Incorrect speed control lever adjustment. ❷ Fuel tank is empty. ❸ Stale petrol. ❹ Air filter element is dirty. ❺ Spark plug is loose. ❻ Spark plug cap loose or disconnected. 	<ol style="list-style-type: none"> ❶ Adjust speed control lever. ❷ Fill fuel tank. ❸ Drain carburetor float bowl, refill with fresh unleaded petrol.. ❹ Clean or replace air filter. ❺ Tighten spark plug. ❻ Correctly fit the spark plug cap.
Spark Plug Faulty	<ol style="list-style-type: none"> ❶ Spark plug cap is incorrect. ❷ Carburetor is flooded with fuel. ❸ Faulty ignition module. 	<ol style="list-style-type: none"> ❶ Set plug gap to 0.7 - 0.8mm or replace spark plug. ❷ Remove the air filter and pull starter rope until carburetor clears. ❸ Contact the service dealer.
Engine difficult to start or loses power	<ol style="list-style-type: none"> ❶ Dirt, water or stale fuel in tank. ❷ Vent hole in fuel tank is clogged. ❸ Air filter element is dirty. 	<ol style="list-style-type: none"> ❶ Drain fuel and clean tank. Fill with clean, fresh fuel. ❷ Clean or replace fuel tank cap. ❸ Clean or replace air filter element.
Engine operates erratically	<ol style="list-style-type: none"> ❶ Spark plug is defective. ❷ Spark plug gap is incorrect. ❸ Air filter element is dirty. 	<ol style="list-style-type: none"> ❶ Fit new, correctly gapped spark plug. ❷ Set plug gap to 0.7 - 0.8mm. ❸ Clean or replace air filter element.
Engine idles poorly	<ol style="list-style-type: none"> ❶ Air filter element is dirty. ❷ Air slots in engine are blocked. ❸ Cooling fins and air passages under engine housing are blocked. 	<ol style="list-style-type: none"> ❶ Clean or replace air filter element. ❷ Remove debris from slots. ❸ Remove debris from cooling fins and passages.
Engine skips at high speed	<ol style="list-style-type: none"> ❶ Spark plug electrode gap is incorrect. 	<ol style="list-style-type: none"> ❶ Set plug gap to 0.7 - 0.8mm.
Engine overheating	<ol style="list-style-type: none"> ❶ Cooling airflow is restricted. ❷ Incorrect spark plug. 	<ol style="list-style-type: none"> ❶ Remove any debris from slots in shroud, blower housing and air passages. ❷ Fit new spark plug.
Machine not sweeping properly	<ol style="list-style-type: none"> ❶ Worn brush. ❷ Brush not adjusted correctly. ❸ Incorrect speed control lever adjustment. 	<ol style="list-style-type: none"> ❶ Replace brush. ❷ Lower or raise the brush height using the height adjuster. ❸ Adjust speed control lever.

⚠ Where necessary, all corrective actions should be carried out by a suitably qualified person.



Technical Data

Specifications

Model	HYSW1000
Engine Type	HYUNDAI IC175VE 4-Stroke
Engine Size	173cc
Rated Power	3.6kW
Max. Engine Speed	2800rpm
Fuel Tank Capacity & Fuel Type	1L, Unleaded Petrol
Oil Capacity & Oil Type	600ml, SAE 30 or 15W40
Start Method	Electric & Recoil
Working Width	1M
Brush Speed	180-350rpm
Measured Sound Level	98dB(A)
Net Weight	82kg



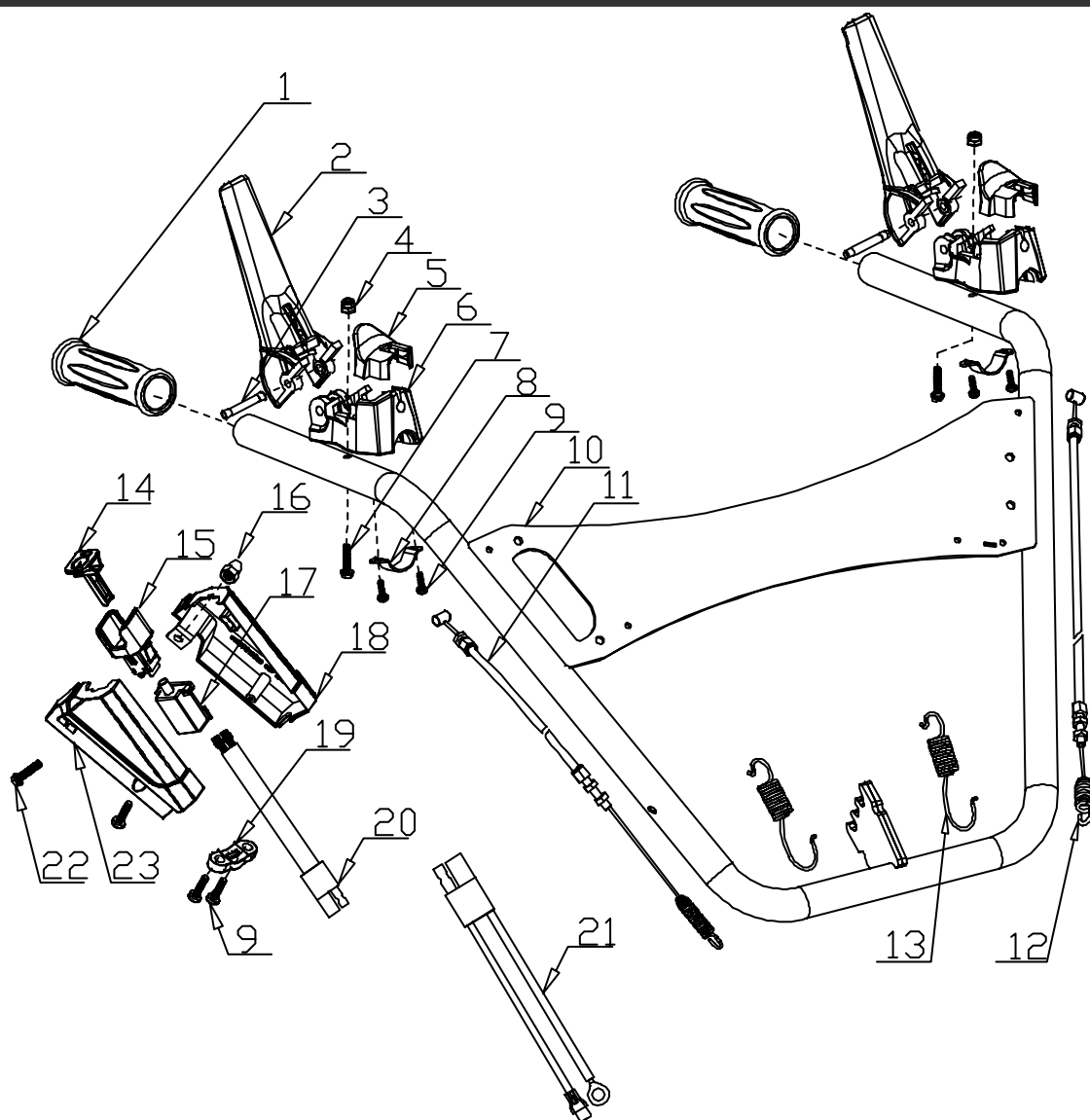
Spare Parts

Ordering Spare Parts

! Only use original spare parts: The use of non-original and/or incorrectly fitted parts will jeopardise the safety of the machine, may cause accidents or injuries for which the manufacturer is under no circumstance liable or responsible.

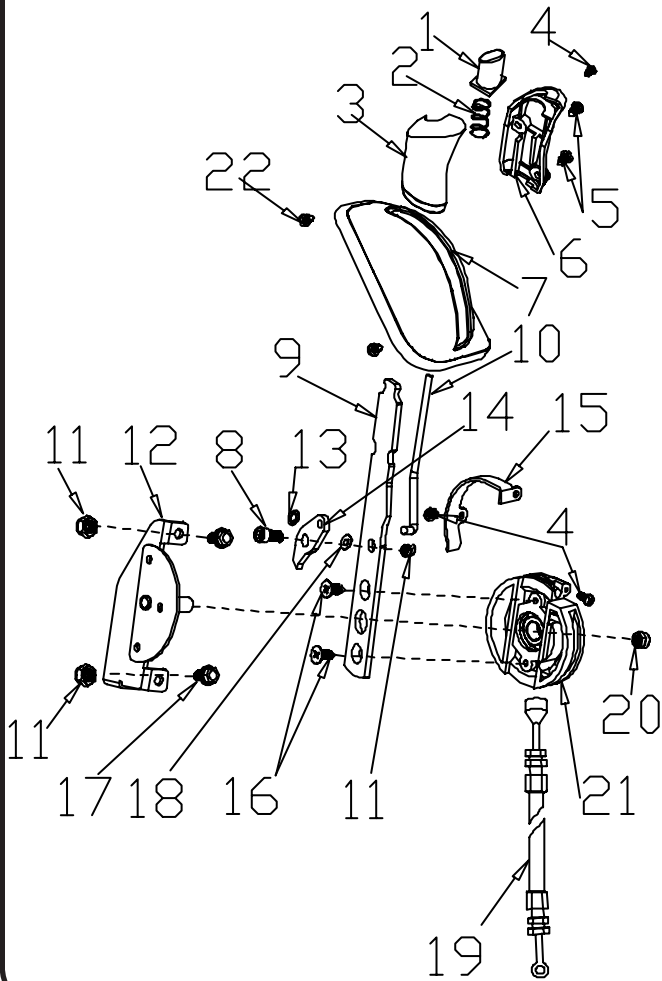
- 1 Find the part you are looking for in the drawings.
- 2 Information about the parts can be found in the tables below or visit power-spares.co.uk
- 3 Use this information to order the part.
- 4 Contact us if you need help finding the correct part.

Drawing A

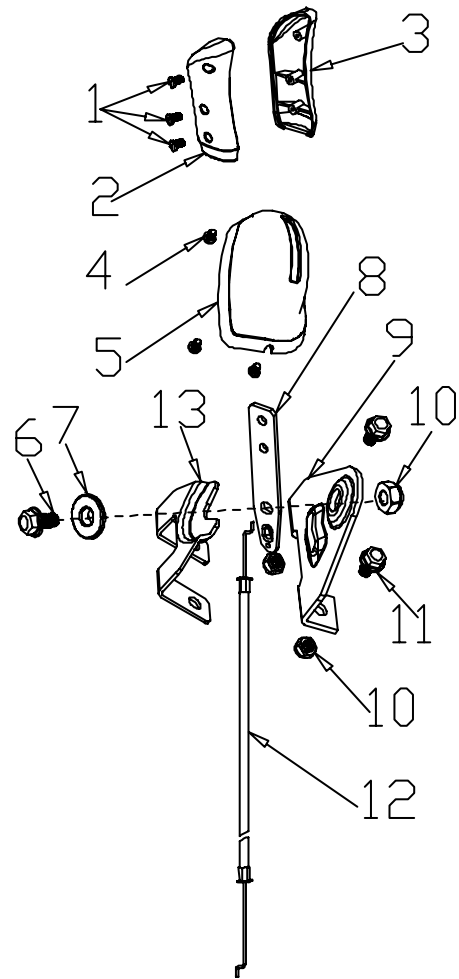


Spare Parts

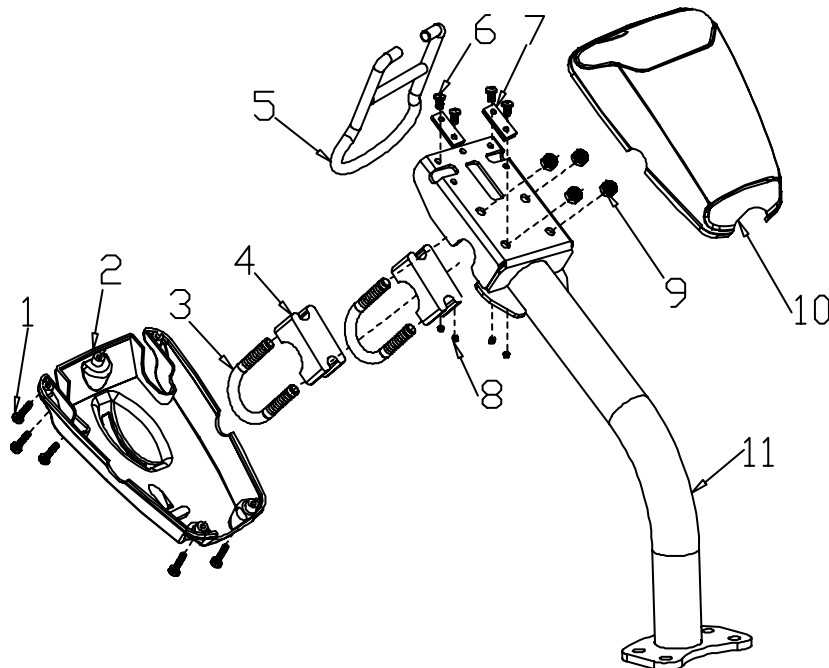
Drawing B



Drawing C

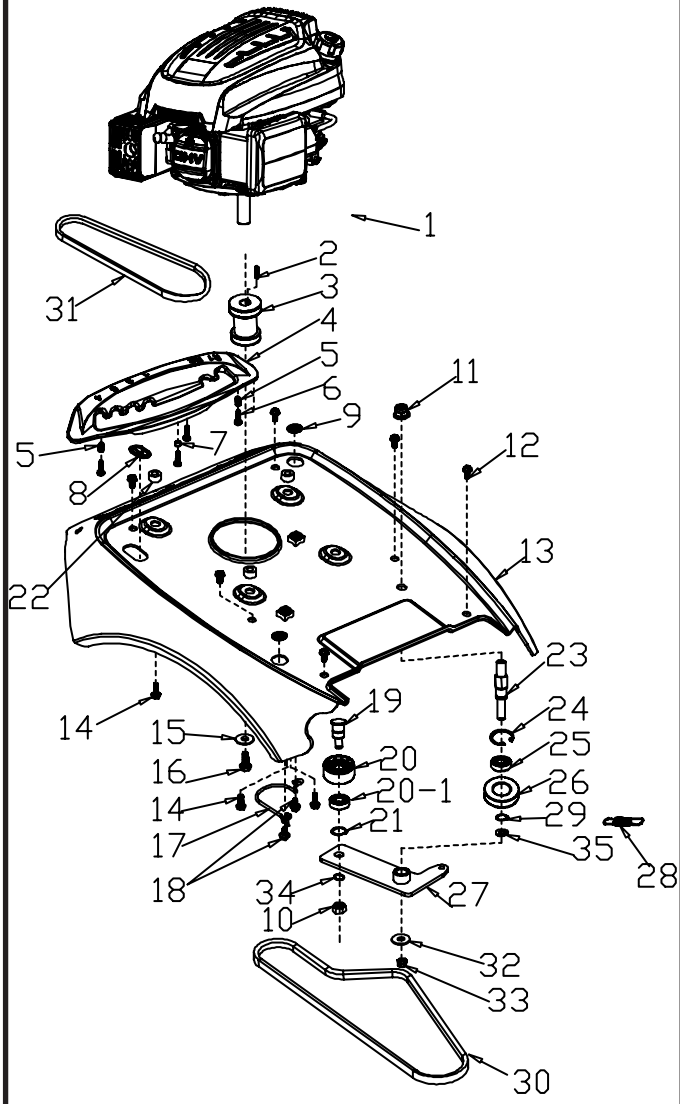


Drawing D

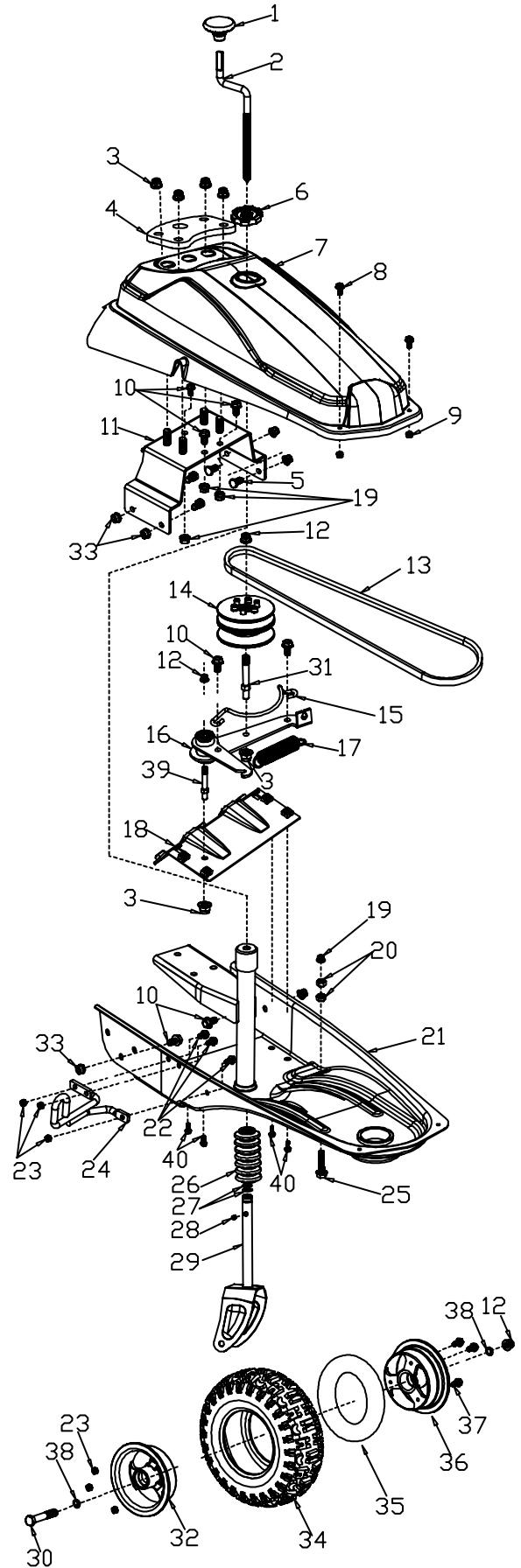


Spare Parts

Drawing E

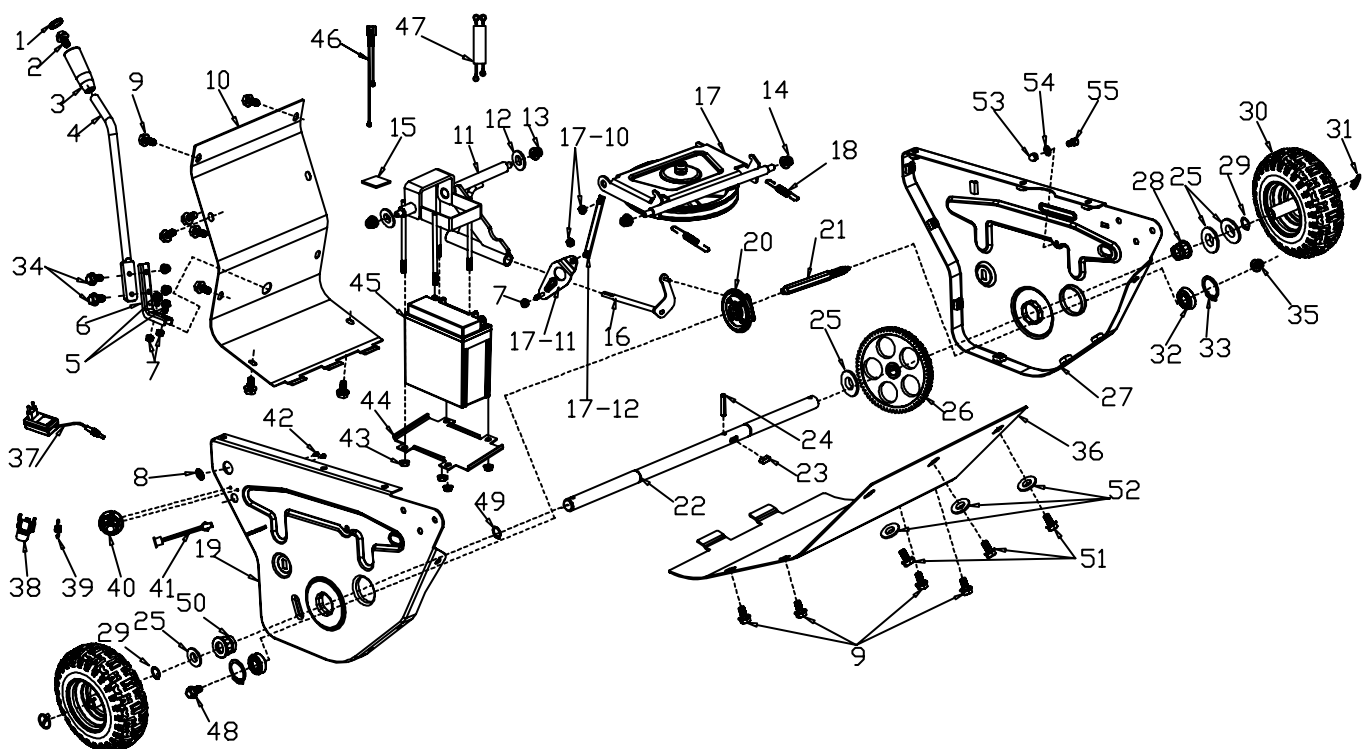


Drawing F



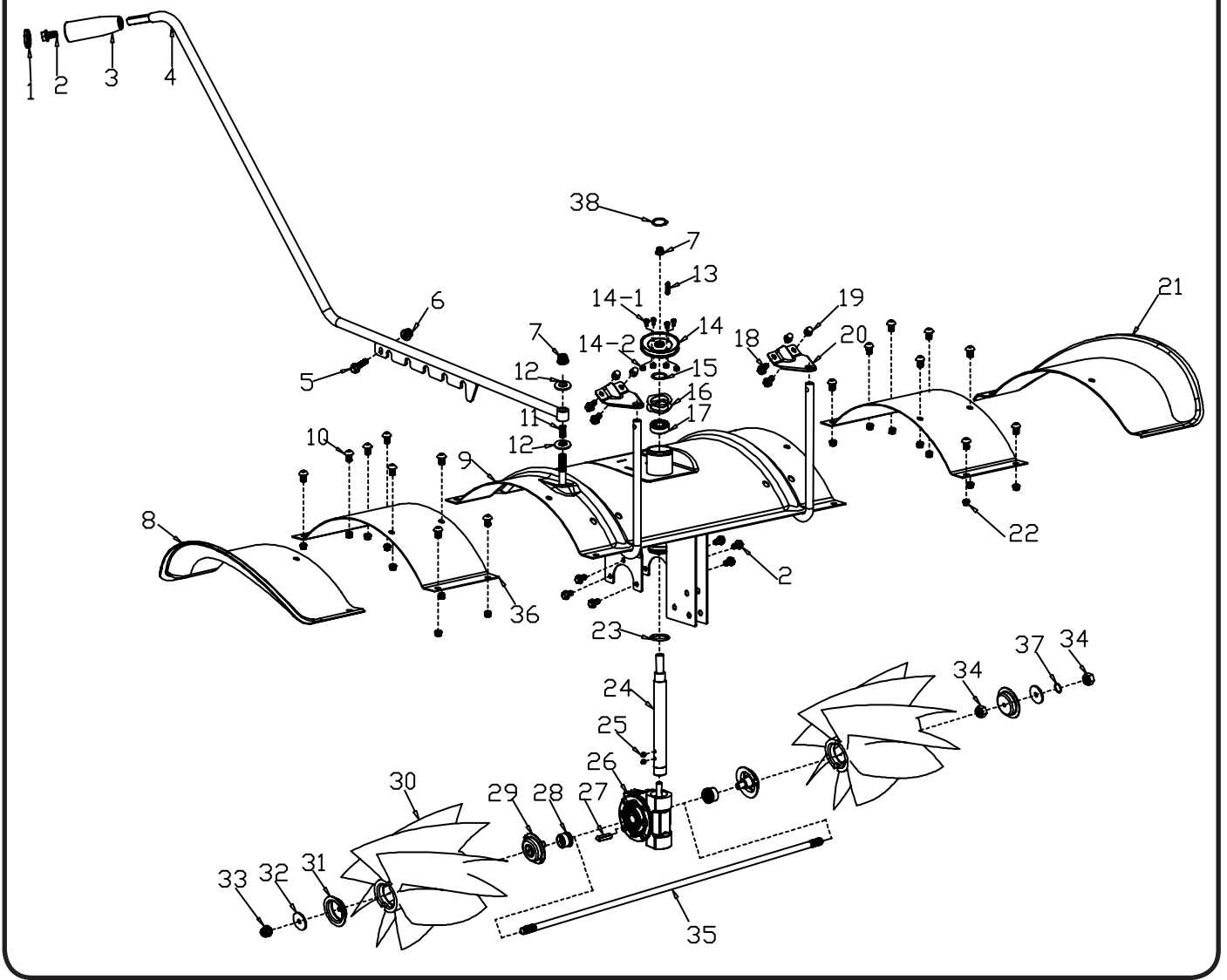
Spare Parts

Drawing G



Spare Parts

Drawing H



Spare Parts

Drawing A

Drawing Number	Spare Part Name	Part Number
HYSW1000-A1	Handle Cover	1102001
HYSW1000-A2	Clutch Handle	1102002
HYSW1000-A3	Pin	1102003
HYSW1000-A4	Nut	1290064
HYSW1000-A5	Cable Holder	1102005
HYSW1000-A6	Handle Base	1102006
HYSW1000-A7	Bolt	1137025
HYSW1000-A8	Fixing Plate	1102008
HYSW1000-A9	Screw	1290070
HYSW1000-A10	Upper Handle Assy	1102010
HYSW1000-A11	Cable	1102011
HYSW1000-A12	Cable	1102012
HYSW1000-A13	Spring	1102013
HYSW1000-A14	Key	1149038
HYSW1000-A15	Key Holder	1149039
HYSW1000-A16	Nut	1001002
HYSW1000-A17	Button	1149041
HYSW1000-A18	Left Cover	1137024
HYSW1000-A19	Cable Holder	1290028
HYSW1000-A20	Wire	1102020
HYSW1000-A21	Wire	1102021
HYSW1000-A22	Bolt	1149027
HYSW1000-A23	Right Cover	1137027



Spare Parts

Drawing B

Drawing Number	Spare Part Name	Part Number
HYSW1000-B1	Button	1102024
HYSW1000-B2	Spring	1102025
HYSW1000-B3	Right Cover	1102026
HYSW1000-B4	Screw	1149040
HYSW1000-B5	Screw	1135032
HYSW1000-B6	Left Cover	1102029
HYSW1000-B7	Right Cover	1102030
HYSW1000-B8	Screw	1102031
HYSW1000-B9	Adjusted Speed Handle for Brush	1102032
HYSW1000-B10	Pushrod	1102033
HYSW1000-B11	Nut	1102034
HYSW1000-B12	Gear Plate	1102035
HYSW1000-B13	Washer	1102036
HYSW1000-B14	Pawl	1102037
HYSW1000-B15	Cable Guard	1102038
HYSW1000-B16	Screw	1102039
HYSW1000-B17	Bolt	1290090
HYSW1000-B18	Washer	1308024
HYSW1000-B19	Cable	1102042
HYSW1000-B20	Nut	1102043
HYSW1000-B21	Cable Pulley	1102044
HYSW1000-B22	Screw	1290080

Drawing C

Drawing Number	Spare Part Name	Part Number
HYSW1000-C1	Screw	1102046
HYSW1000-C2	Right Cover	1102047
HYSW1000-C3	Left Cover	1102048
HYSW1000-C4	Screw	1102049
HYSW1000-C5	Left Cover	1102050
HYSW1000-C6	Bolt	1290062
HYSW1000-C7	Bush	1102052
HYSW1000-C8	Governor Rod	1102053
HYSW1000-C9	Gear Plate	1102054
HYSW1000-C10	Nut	1102055
HYSW1000-C11	Bolt	1102056
HYSW1000-C12	Cable	1102057
HYSW1000-C13	Plate	1102058



Spare Parts

Drawing D

Drawing Number	Spare Part Name	Part Number
HYSW1000-D1	Screw	1102059
HYSW1000-D2	Lower Cover	1102060
HYSW1000-D3	Bolt	1102061
HYSW1000-D4	Position-limiting Base	1102062
HYSW1000-D5	Handle	1102063
HYSW1000-D6	Bolt	1143089
HYSW1000-D7	Plate	1102065
HYSW1000-D8	Nut	1290012
HYSW1000-D9	Nut	1290011
HYSW1000-D10	Upper Cover	1102068
HYSW1000-D11	Lower Handle	1102069



Spare Parts

Drawing E

Drawing Number	Spare Part Name	Part Number
HYSW1000-E1	Engine	1102070
HYSW1000-E2	Flat Key	1149047
HYSW1000-E3	Belt Wheel	1102072
HYSW1000-E4	Gear Plate	1102073
HYSW1000-E5	Bush	1102074
HYSW1000-E6	Screw	1102075
HYSW1000-E7	Bush	1102076
HYSW1000-E8	Cable Sleeve	1149067
HYSW1000-E9	Cable Sleeve	1290058
HYSW1000-E10	Nut	1102079
HYSW1000-E11	Nut	1102080
HYSW1000-E12	Bolt	1102081
HYSW1000-E13	Engine Fixed Plate	1102082
HYSW1000-E14	Bolt	1102083
HYSW1000-E15	Flat Washer	1102084
HYSW1000-E16	Blade Bolt	1149056
HYSW1000-E17	Belt Guard Frame	1102086
HYSW1000-E18	Bolt	1102087
HYSW1000-E19	Bolt	1102088
HYSW1000-E20	Belt Tensioner	1102089
HYSW1000-E21	Lock Ring	1102090
HYSW1000-E22	Bush	1102091
HYSW1000-E23	Bolt	1102092
HYSW1000-E24	Lock Ring	1102093
HYSW1000-E25	Ball Bearing	1102094
HYSW1000-E26	Idle Pulley	1102095
HYSW1000-E27	Swing Arm	1102096
HYSW1000-E28	Spring	1102097
HYSW1000-E29	Lock Ring	1290105
HYSW1000-E30	Belt	1102099
HYSW1000-E31	Belt	1102100
HYSW1000-E32	Flat Washer	1102101
HYSW1000-E33	Nut	1290112
HYSW1000-E34	Spring washer	1102103
HYSW1000-E35	Spring Washer	1102104
HYSW1000-E36	Engine cover	1149058
HYSW1000-E37	Screw	1149057
HYSW1000-E38	Filtering Net Duct of Fuel	1149059
HYSW1000-E39	Oil Pipe Circlip I	1149060



Spare Parts

Drawing F

Drawing Number	Spare Part Name	Part Number
HYSW1000-F1	Adjusted Height Handle	1102109
HYSW1000-F2	Adjusted Height Rod	1102110
HYSW1000-F3	Nut	1102111
HYSW1000-F4	Mat	1102112
HYSW1000-F5	Bolt	1102113
HYSW1000-F6	Knob	1102114
HYSW1000-F7	Belt Cover	1102115
HYSW1000-F8	Bolt	1290077
HYSW1000-F9	Nut	1102117
HYSW1000-F10	Bolt	1102118
HYSW1000-F11	Base	1102119
HYSW1000-F12	Nut	1102120
HYSW1000-F13	Belt	1102121
HYSW1000-F14	Variable Speed Pulley Assy	1102122
HYSW1000-F15	Belt Guard Frame	1102123
HYSW1000-F16	Plate	1102124
HYSW1000-F17	Spring	1102125
HYSW1000-F18	Fixed Plate	1102126
HYSW1000-F19	Nut	1102127
HYSW1000-F20	Nut	1102128
HYSW1000-F21	Deck	1102129
HYSW1000-F22	Bolt	1102130
HYSW1000-F23	Nut	1102131
HYSW1000-F24	Holder	1102132
HYSW1000-F25	Bolt	1102133
HYSW1000-F26	Dirt-proof Boot	1102134
HYSW1000-F27	Lock Ring	1102135
HYSW1000-F28	Spring	1102136
HYSW1000-F29	Front Wheel Fixed Frame	1102137
HYSW1000-F30	Bolt	1102138
HYSW1000-F31	Stud Bolt	1102139
HYSW1000-F32	Wheel Hub	1102140
HYSW1000-F33	Nut	1290094
HYSW1000-F34	Tyre	1102142
HYSW1000-F35	Inner Tube	1102143
HYSW1000-F36	Wheel Hub	1102144
HYSW1000-F37	Bolt	1102145
HYSW1000-F38	Flat Washer	1102146
HYSW1000-F39	Stud bolt	1102147
HYSW1000-F40	Bolt	1102148



Spare Parts

Drawing G

Drawing Number	Spare Part Name	Part Number
HYSW1000-G1	Handle Cover	1102149
HYSW1000-G2	Bolt	1143107
HYSW1000-G3	Handle	1102151
HYSW1000-G4	Shift Lever	1102152
HYSW1000-G5	Bolt	1102153
HYSW1000-G6	Plate	1102154
HYSW1000-G7	Nut	1102155
HYSW1000-G8	Cable Sleeve	1102156
HYSW1000-G9	Bolt	1102157
HYSW1000-G10	Rear Cover	1102158
HYSW1000-G11	Holder	1102159
HYSW1000-G12	Flat Washer	1001062
HYSW1000-G13	Nut	1102161
HYSW1000-G14	Nut	1102162
HYSW1000-G15	mat	1102163
HYSW1000-G16	Fork Rod	1102164
HYSW1000-G17	Friction Disk	1102165
HYSW1000-G18	Spring	1102166
HYSW1000-G19	Right Cover	1102167
HYSW1000-G20	Friction Wheel	1102168
HYSW1000-G21	Gear	1102169
HYSW1000-G22	Drive Shaft	1102170
HYSW1000-G23	Flat Key	1102171
HYSW1000-G24	Pin	1102172
HYSW1000-G25	Flat Washer	1102173
HYSW1000-G26	Gear	1102174
HYSW1000-G27	Left Cover	1102175
HYSW1000-G28	Left sleeve	1102176
HYSW1000-G29	Lock Ring	1102177
HYSW1000-G30	13" Tyre	1102178
HYSW1000-G31	Pin	1102179
HYSW1000-G32	Ball Bearing	1102180
HYSW1000-G33	Lock Ring	1102181
HYSW1000-G34	Bolt	1102182
HYSW1000-G35	Nut	1102183
HYSW1000-G36	Front Cover	1102184
HYSW1000-G37	Charger	1149086
HYSW1000-G38	cover	1102186
HYSW1000-G39	spring	1102187
HYSW1000-G40	dust guard seat	1102188



Spare Parts

Drawing G (Continued)

Drawing Number	Spare Part Name	Part Number
HYSW1000-G41	Wire	1102189
HYSW1000-G42	Screw	1102190
HYSW1000-G43	Nut	1102191
HYSW1000-G44	lower cover	1102192
HYSW1000-G45	Battery	1149090
HYSW1000-G46	Wire	1102194
HYSW1000-G47	Wire	1102195
HYSW1000-G48	Bolt	1102196
HYSW1000-G49	Lock Ring	1102197
HYSW1000-G50	Right sleeve	1102198
HYSW1000-G51	Bolt	1102199
HYSW1000-G52	Flat Washer	1102200
HYSW1000-G53	Nut	1290033
HYSW1000-G54	Flat Washer	1102202
HYSW1000-G55	Bolt	1102203



Spare Parts

Drawing H

Drawing Number	Spare Part Name	Part Number
HYSW1000-H1	Handle Cover	1102204
HYSW1000-H2	Bolt	1102205
HYSW1000-H3	Handle	1102206
HYSW1000-H4	Steering Lever	1102207
HYSW1000-H5	Bolt	1102208
HYSW1000-H6	Nut	1102209
HYSW1000-H7	Nut	1102210
HYSW1000-H8	Right Cover	1102211
HYSW1000-H9	Brush Guard	1102212
HYSW1000-H10	Screw	1102213
HYSW1000-H11	Spring	1102214
HYSW1000-H12	Flat Washer	1102215
HYSW1000-H13	Flat Key	1102216
HYSW1000-H14	Belt Wheel	1102217
HYSW1000-H15	Lock Ring	1102218
HYSW1000-H16	Spring Washer	1102219
HYSW1000-H17	Ball Bearing	1102220
HYSW1000-H18	Bolt	1102221
HYSW1000-H19	Nut	1102222
HYSW1000-H20	Plate	1102223
HYSW1000-H21	Left Cover	1102224
HYSW1000-H22	Nut	1102225
HYSW1000-H23	"o" Ring 20*2.3	1102226
HYSW1000-H24	Shaft	1102227
HYSW1000-H25	Screw	1102228
HYSW1000-H26	Gearbox	1102229
HYSW1000-H27	Flat Key	1102230
HYSW1000-H28	Sleeve	1102231
HYSW1000-H29	Platen	1102232
HYSW1000-H30	Brush	1102233
HYSW1000-H31	platen	1102234
HYSW1000-H32	Flat Washer	1102235
HYSW1000-H33	Nut	1102236
HYSW1000-H34	Nut	1102237
HYSW1000-H35	Screw	1102238
HYSW1000-H36	Cover	1102239
HYSW1000-H37	Spring Washer	1102240
HYSW1000-H38	Lock Ring	1102241



Recycling And Disposal

Recycling And Disposal



We do not offer a takeback scheme for the recovery of Waste Electrical Electronic Equipment (WEEE) & Batteries. Instead the responsibility to dispose of WEEE and/or Batteries is passed onto you by us.

So when it becomes necessary to dispose of your machine you must take it to your local Civic Amenity Site. For further information please contact your local Authority for disposal advice.

You **MUST** make sure that all unused oil and fuel is disposed of correctly either beforehand or at your local Civic Amenity Site.

- Under NO circumstances must any fuel or oil be put down any drains.
- Certain products contain WEEE waste which should not be disposed of in your domestic waste.
- You **MUST** recycle WEEE in accordance with your local authority or recycling centre.
- Certain products contain batteries which should not be disposed of in your domestic waste.
- You **MUST** recycle batteries in accordance with your local authority or recycling centre.
- Unwanted packaging and materials should be stored and taken to a recycling centre so it can be disposed of in a manner which is compatible with the environment.

We are a Member of the VALPAK National Compliance Scheme and our registration number is **RM08660**. For further information about disposal please contact your Local Authority.

You can also get more advice and guidance about recycling at the following website
<http://www.recycle-more.co.uk>

Should you pass this product on to another user either sold or loaned, you **MUST** pass on this user manual. This will make sure that all other users can use and maintain this machine safely.

Environmental Protection

1. Environmental protection should be a priority of considerable importance when using the machine, for the benefit of both social coexistence and the environment in which we live. Try not to cause any disturbance to the surrounding area.
2. You must comply with local regulations and provisions for the disposal of packaging, oils, petrol, filters, damaged parts or any elements which have a strong impact on the environment. This waste must not be disposed of as normal waste. It needs to be separated and taken to specified waste disposal centres where the material will be recycled.
3. You must comply with local regulations for the disposal of waste materials after mowing.
4. When disposing, do not pollute the environment with the machine, but hand it over to a disposal centre, in accordance with the local laws in force.



Declaration Of Conformity

Genpower Ltd confirms that these Hyundai products conform to the following CE Directives;

2006/42/EC Machinery Directive

2004/108/EC EMC Directive

2000/14/EC Amended by 2005/88/EC Noise Emissions Directive

97/68/EC_2010/26/EC NRMM Emissions Directive

The undersigned. As authorised by: Genpower Ltd

Declares that the following equipment manufactured is licensed by Hyundai Corporation, Korea.

Conforms to the Directive:- 2000/14/EC (as amended)

Of the European Parliament and of the council on the approximation of the laws of the Member States relating to the noise emission in the environment by equipment for the use outdoors.

Equipment Category:	Power Equipment
Product Name/Model:	HYSW1000
Type/Serial No:	Petrol Brush Sweeper
Net installed power:	3.6kw
The technical documentation is kept by:	Roland Llewellyn, Genpower Ltd Isaac Way, Pembroke Dock, Pembrokeshire, SA72 4RW.

The conformity assessment procedure followed was in accordance with annex V of the Directive.

Notified Body:	TüV Rheinland LGA Products GmbH Tillystrasse 2 Nurenburg 9431 Certification n° 50145578 001
----------------	--

Measured Sound Power Level:	74dB
Guaranteed Sound Power Level:	94dB

A copy of this certificate has been submitted to the European Commission and the EU Member State United Kingdom.

Place of Declaration:	Pembroke Dock, SA73 4RW
Date:	11/06/2018
Signed by:	Roland Llewellyn



Position in Company:	Managing Director
Name and address of manufacturer or Authorised representative:	Genpower Ltd Isaac Way, Pembroke Dock, Pembrokeshire, SA72 4RW



Useful Information

Check Out Our YouTube Channel

Our videos on YouTube include:

- Unboxing
- Assembly of your machine
- How to service your machine
- Products in use
- 'How To' videos
- Product features

Go to www.hyundaisupport.co.uk or search 'Hyundai Power Products' in YouTube.

Warranty

Proof of purchase will be required before you make a warranty claim.

Full warranty terms and conditions can be found on the HYUNDAI POWER PRODUCTS website: www.hyundaipowerproducts.co.uk

Manual Updates

Our manuals are constantly being reviewed and updated. Should you find an error, omission or something unclear, please contact us for assistance.

We reserve the right to make any modifications without prior notice whenever necessary.

Our latest manuals are also placed online.

All our manuals can be downloaded at: www.hyundaipowerproducts.co.uk

Returning Your Product

If you are returning your product, please contact the dealer for their returns policy.

Leaving A Review

We work very hard to give all of our customers the best possible service. If you have any problems, before leaving negative feedback, please contact us to give us a chance to resolve the issue. We would be delighted if you left us positive feedback!

To leave a review, please go to: uk.trustpilot.com/review/hyundaipowerequipment.co.uk

Ordering Spare Parts

You can find the spare part you are looking for in the 'Spare Parts' section of this manual or visit power-spares.co.uk



Our Product Range

Generators

Leisure Inverter, Petrol, Diesel And Built-In Motorhome Generators

Pressure Washers

Petrol, Diesel And Electric Pressure Washers

Water Pumps

Submersible, Clean And Dirty Water And Professional Chemical Water Pumps

Lawnmowers

Petrol, Cordless, Electric, Roller, Self Propelled, Electric Start And Robotic Lawnmowers

Grass Trimmers And Brush Cutters

Petrol, Cordless, Electric And Wheeled Grass Trimmers And Brush Cutters

Chainsaws

Petrol, Cordless And Electric Chainsaws

Hedge Trimmers

Petrol And Cordless Hedge Trimmers

Leaf Blowers

Petrol, Electric, Cordless, Backpack And 3 -in-1 Leaf Blowers

Log Splitters

Horizontal, Vertical, Petrol And Electric Log Splitters

Wood Chippers

Petrol And Electric Start Wood Chippers

Tillers

Petrol Garden Tiller And Cultivator

Earth Augers And Trenchers

Petrol Earth Augers And Heavy Duty Trenchers

Compactor Plates

Petrol Compactor Plates

Cement Mixers

Portable Electric Cement Mixers

Mini Dumpers

4-Wheel Drive Mini Dumpers And Tracked Dumpers

Yard Sweeper

Self Propelled Yard Sweeper Power Brush

Scarifiers

Petrol Lawn Scarifier And Aerator

Stump Grinders

Petrol 4-Stroke Stump Grinders

Welders And Plasma Cutters

MIG, TIG, MMA, ARC Welders And Plasma Cutters

Power Tools And Tool Chests

Electric And Cordless Power Tools And Filled Tool Chests

Vacuum Cleaners

Wet And Dry Vacuum Cleaners

Engines

Petrol And Electric Start Engines

Battery Chargers / Starters

6V, 12V, 24V Battery Chargers, Jump Starters And Hydraulic Floor Jack

Air Compressors

Home, Domestic, DIY And Professional Use Air Compressors

Lighting Towers

Mobile Lighting Towers With Diesel Generators

Portable Power Stations

Camping Power Packs And Solar Chargers

And More

We Are Constantly Expanding Our Range With New Products

If you would like more information on any of these products, please contact our sales team on 01646 687880 or visit our website www.hyundaipowerproducts.co.uk



Product Information

Information

As soon as you have purchased the machine, we recommend that you fill out the following. If you need to contact an authorised dealer or customer service for information on servicing, you may need to provide the following information.

The model number and serial number can be found on the grey specification sticker on your machine.

Date Of Purchase:

Dealer Name:.....

Dealer Phone:.....

Model Number:.....

Serial Number:.....

Service Record

1st Service

Date Of Service.....

Next Service Due.....

2nd Service

Date Of Service.....

Next Service Due.....

3rd Service

Date Of Service.....

Next Service Due.....

4th Service

Date Of Service.....

Next Service Due.....



Need Help? Talk To Our Experts

Contact Us

Our friendly aftersales team will be more than happy to help you.



Phone

Call our team on 01646 687880, open Monday-Friday 8.30am-5pm.



Email

aftersales@hyundaipowerproducts.co.uk



Online Live Chat

Go to www.hyundaipowerproducts.co.uk

Live chat is open Monday-Friday from 8.30am-5pm.



Post

Genpower Limited, Isaac Way, Pembroke Dock, Pembrokeshire, SA72 4RW, UK.



HYUNDAI

POWER PRODUCTS

Importer:
GENPOWER LTD
Isaac Way, London Road,
Pembroke Dock, UNITED KINGDOM, SA72 4RW
T: +44 (0) 1646 687 880 F: +44 (0) 1646 686 198
E: info@hyundaipowerproducts.co.uk
www.hyundaipowerproducts.co.uk

Imported/Distributed by Genpower Ltd for The United Kingdom & Ireland

Licensed by Hyundai Corporation, Korea